



## W1451

Our narrow footprint housing provides an economical architectural solution while delivering high performance with LEDs.

### Features

- Special optional optics for optimal light spread to accommodate every application
- Comes standard with 1" Bevel finish
- Damp Location Rated
- 80+ and 90+ CRI offered
- Several color temperatures available

### LED System Information

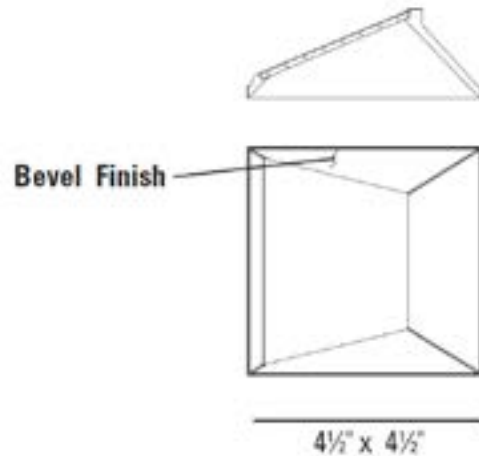
	14 Watts	20 Watts
Color Rendering Index	80+ CRI	80+ CRI
Lumens per Watt	56	48
Source Lumens	1100	1500
Delivered Lumens	775	1000

	2700K	3000K	3500K
Color Rendering Index	80+ CRI	80+ CRI	80+ CRI
Multiplier for Lumens	1.00	1.00	1.08

### Applications

- Offices
- Reception Areas
- Corridors

### Extrusion Dimensions



### Ordering Information:

<b>W1451</b>	-	<b>B1</b>	-	<b>LSLW4</b>	-	<b>M2</b>	-
<b>Trim</b>	<b>Option</b>	<b>Bevel Style</b>	<b>Flange Finish</b>	<b>Housing Code</b>	<b>Wattage</b>	<b>Engine Code</b>	<b>Color</b>
W1451	W-Wet Location*	B1-1" Regressed Bevel-Die Cast	10- White 13- Statuary Bronze 21- Black 28- Insulation Contact RAL- Custom Color (specify color)	LSLW4	6014- 14W, 775 Lumens 6020- 20W, 1000 Lumens	M2	27KS- 2700K (80+CRI) 30KS 3000K (80+CRI) 35KS 3500K (80+CRI) 40KS 4000K (80+CRI)

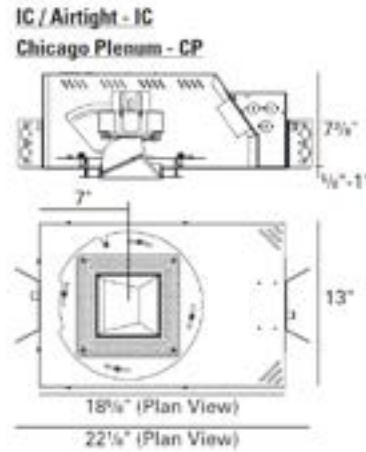
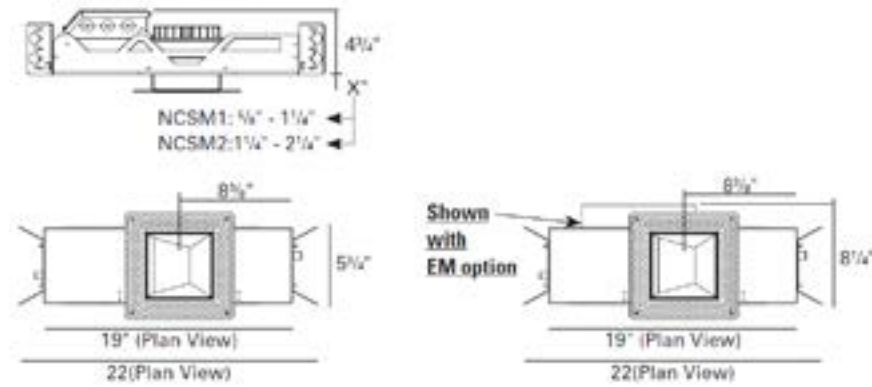
\*Wet location, use with B1 trims only.

<b>Housing Type</b>	<b>Voltage</b>	<b>Driver</b>	<b>Accessories</b>
<b>NCSM1</b> -New Construction 5/8" - 1-1/4" Ceiling Thickness	<b>120</b> <b>277</b> <b>UNV</b>	<b>DIML2</b> - Standard 10% Dimming (0-10V) <b>DIML3</b> - Standard 10% Dimming (0-10V) <b>DIML4</b> - Standard 10% Dimming (0-10V) <b>DIML9</b> - TRIAC 15% 2-wire, 120V only <b>DIML10</b> - ELV 15% 2-wire, 120V only	<b>CB27</b> - 27" C-Channel Bars <b>CB52</b> - 52" C-Channel Bars <b>EML</b> - Emergency battery* <b>EMLW</b> - Emergency battery, wet location*
<b>NCSM2</b> -New Construction 1-1/4" - 2-1/4" Ceiling Thickness			
<b>CP</b> - Chicago Plenum*			
<b>IC</b> - Insulation Contact*			
*Not available with EM			*EM requires above ceiling access. For use with NC housings only.

Ordering Example: W1451-W-B1-21-10-LSLW4-6020-M2-120-DIML3-EM

Housing Information:

New Construction - NCSM



Specifications:

**TRIM:** 4-1/2" square aperture with a regressed bevel, retained by four mounting clips. Die cast aluminum bevel is available in white, staturary bronze, black, and metalized grey finishes. Also available in black anodized or clear matte anodized bevel. Custom colors available (provide RAL#).

**TRIM LENS:** Micro diffusion wall wash lens.

**REFLECTOR:** Precision injection molded specular polycarbonate reflector maximized for wall wash distribution.

**FIELD REPLACEABLE LIGHT ENGINE:** Available in 2 lumen packages: 14W (650 delivered lumens), 20W (850 lm). Engine is field replaceable through the aperture without tools.

**COLOR:** Available in 4 color temperatures (2700K, 3000K, 3500K, 4000K). All color options are tightly binned for fixture-to-fixture color consistency within a 2-Step MacAdam Ellipse. 80+ color rendering index provided standard.

**RATED LIFE:** Based on IESNA LM80-2008 50,000 hours at 70% lumen maintenance (L70).

**MAXIMUM CEILING THICKNESS:** As per drawings above. ML option is for 1" max thickness wood with IC housing and for 2-1/4" max thickness wood with NCSM2 housing. Millwork option is not available with NCSM1 housing.

**THERMAL MANAGEMENT:** Proprietary high performance aluminum die cast heatsink for maximum LED life. Ambient temperatures at fixture location should not exceed 40°C during normal operation.

**FIELD REPLACEABLE DRIVER:** 0-10V, 100%-10% solid state electronic constant current DIML2 dimming driver with a high power factor provided standard and sources 2mA. Specify 120V or 277V. Driver complies with IEEE62.41 surge protection.

**DIMMING OPTIONS:** Multiple dimming drivers available. See Some on-time delay may be experienced depending on control system used. Note: DIML6A logarithmic control is intended for use with Lutron control systems; DIML6B linear control is intended for use with non-Lutron controls. DIML6 dimming drivers source 2mA.

**EMERGENCY:** Emergency lighting battery pack with remote test switch requires above ceiling access for service. Bodine 17C provides 200mA for 90 minutes; delivers 325 lumens. EMLW wet location option is available with B1 trim only and requires remote test switch. EM options is available with NC housings only.

**MOUNTING:** Butterfly brackets and adjustable nailer bars with integral nails provided. Nailer bars are extendible from 14" to 24" centers.

**HOUSING:** Fabricated of 20 ga. galvanized steel with thru wire J-box, 4 in 4 out at min. 90°C, #12 AWG thru branch circuit wiring. NCSL housing is field rotatable 90° for best fit installation. NCSL with TZ option is compatible with TechZone ceiling systems. IC-rated housings for use with 14W light engines only are rated for direct contact with spray foam insulation of R-42 per inch or less. IC-rated housings for use with 20W light engines are rated for direct contact with spray foam insulation of R-3.7 per inch or less.

**ACCESSORY HOLDER:** Snap-in accessory holder shipped with fixture. Accepts 'D' size lens, maximum 2.

**CEILING CUT OUT:** 5-1/16" x 5-1/16" Millwork: 4-13/16" x 4-13/16"

**LISTINGS:** Dry/damp. Wet location option is available. Tested to UL standards. IBEW union made.

**WARRANTY:** 5 years.

**NOTES:** Dry/Damp. Wet location option available with B1 trim only. NRTL/CSA-US tested to UL standards. IBEW union made.

**PHOTOMETRICS:** Consult factory or website for IES files. Tested in accordance with IESNA LM79-2008.

SELECTION GUIDE: DIML2

DIMMING DRIVER WIRING SCHEMES:

NOTES:

Wiring diagrams are examples of typical installations intended to illustrate the number of wires that must be run to fixture. These diagrams are not intended to specify all equipment necessary for a given dimming circuit. Refer to specific dimmer manufacturer's documentation for details.

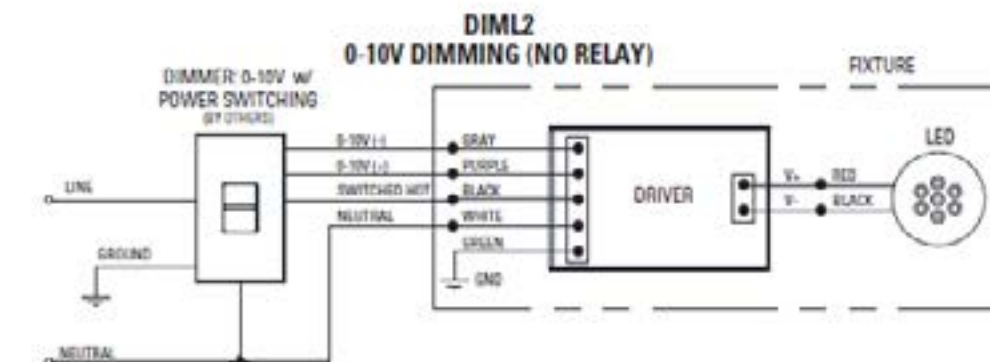
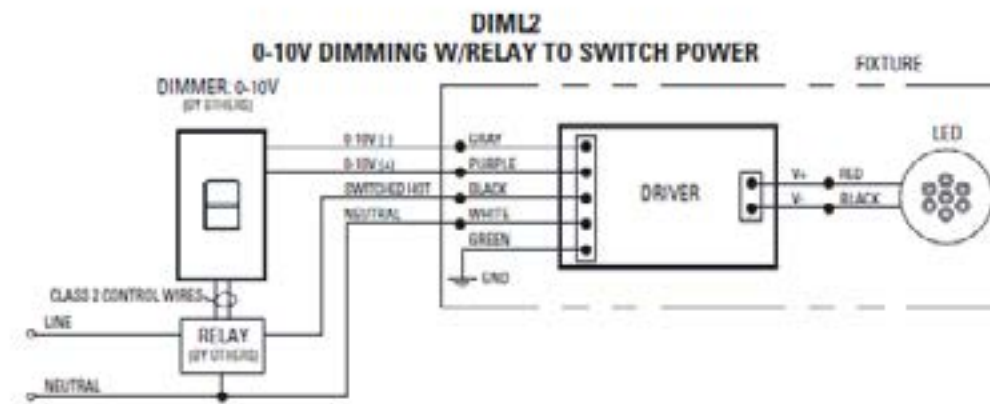
IMPORTANT SAFETY INSTRUCTIONS - SAVE THESE INSTRUCTIONS

1. Keep these instructions in a safe place for future reference.
2. Only qualified electricians in accordance to local codes should install these fixtures.
3. De-energize the electrical circuit at the circuit breaker prior to installation process or servicing.
4. Make sure all connections are in accordance with the National Electrical Code and any local regulations.
5. Cap any wires not used separately (not together).

DIML2 LED: 0-10V Dimming Driver Wiring (Dims down to 10%)

DIML2 Dimmer Compatibility Chart				
Manufacturer	Product	Part Number	Dimmed Light Output Range	Dry Fixtures Per Dimmer*
<b>120V / 277V</b>				
Crestron	iLux dimmer expansion module	CLS-EXP-DIMFLV	100% - 10%	Use source current per fixture specification sheet to determine number of fixtures per dimmer. Max number of fixtures is limited by dimmer load rating.
Crestron	DIN Rail dimmer	DIN-4DIMFLV4	100% - 10%	
Crestron	DIN Rail analog output module	DIN-AOP	100% - 10%	
Crestron	8 Channel dimmer module	GLX-DIMFLV8	100% - 10%	
Crestron	8 Channel dimmer module	GLXP-DIMFLV8	100% - 10%	
Leviton	illumaTech dimmer	IP710-DLX	100% - 10%	
Lightolier (Philips)	Vega	V2000FAMU	100% - 10%	
Lutron	Diva	DVTV-XX	100% - 10%	

\* NOTE: Refer to dimmer manufacturer's documentation for installation instructions and circuit details.





SELECTION GUIDE: DIML3

DIMMING DRIVER WIRING SCHEMES:

NOTES:

Wiring diagrams are examples of typical installations intended to illustrate the number of wires that must be run to fixture. These diagrams are not intended to specify all equipment necessary for a given dimming circuit. Refer to specific dimmer manufacturer's documentation for details.

IMPORTANT SAFETY INSTRUCTIONS

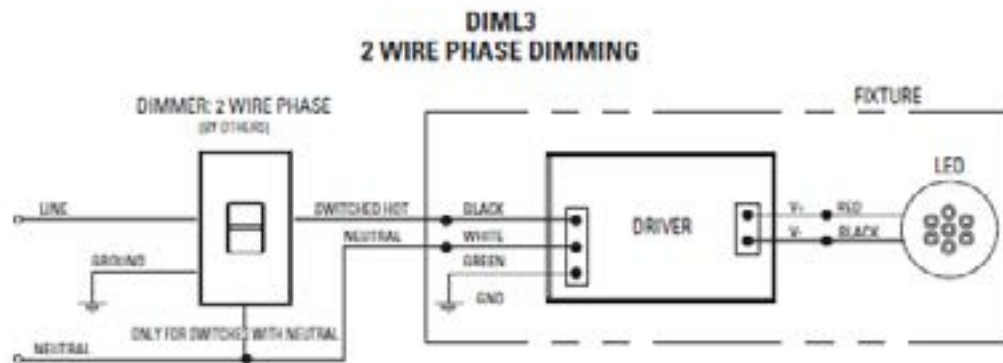
- SAVE THESE INSTRUCTIONS

1. Keep these instructions in a safe place for future reference.
2. Only qualified electricians in accordance to local codes should install these fixtures.
3. De-energize the electrical circuit at the circuit breaker prior to installation process or servicing.
4. Make sure all connections are in accordance with the National Electrical Code and any local regulations.
5. Cap any wires not used separately (not together).

**DIML3 LED: Lutron Hi-Lume A-Series 2 Wire Fwd Phase (with neutral) / LED Dimming Driver Wiring (Dims down to 1%) 120V only.**

DIML3 Dimmer Compatibility Chart					
Manufacturer	Product	Part Number	Dimmed Light Output Range	Qty Fixtures Per Dimmer*	
				Fixture Wattage	
<b>120V Only</b>					
ETC	Sensors Cabinet	ELV10	100% - 1%	1 - 26	1 - 13
ETC	Unison DRd Cabinet	ELV10	100% - 1%	1 - 26	1 - 13
Lutron	Maestro Wireless® 600W dimmer	MRF2-6ND-120-	100% - 1%	1 - 8	1 - 4
Lutron	Maestro Wireless® 1000W dimmer	MRF2-10ND-120-	100% - 1%	1 - 13	1 - 6
Lutron	HomeWorks® QS adaptive dimmer	HQRD-6NA-	100% - 1%	1 - 8	1 - 4
Lutron	HomeWorks® QS 600W dimmer	HQRD-6ND	100% - 1%	1 - 8	1 - 4
Lutron	HomeWorks® QS 1000 W dimmer	HQRD-10ND-	100% - 1%	1 - 13	1 - 6
Lutron	Caseta Wireless® Pro 1000W dimmer	PD-10NXD-	100% - 1%	1 - 13	1 - 6
Lutron	Stanza® dimmer	SZ-6ND-	100% - 1%	1 - 8	1 - 4
Lutron	RadioRA® 2 adaptive dimmer	RRD-6NA-	100% - 1%	1 - 8	1 - 4
Lutron	RadioRA® 2 1000 W dimmer	RRD-10ND-	100% - 1%	1 - 6	1 - 3
Lutron	myRoom DIN power module	MQSE-4A1-D	100% - 1%	1 - 6	1 - 3
Lutron	HomeWorks® QS wallbox power module	HQB1-WPM-6D-120-	100% - 1%	1 - 26	1 - 13
Lutron	HomeWorks® DIN power module	LQSE-4A1-D	100% - 1%	1 - 6	1 - 3
Lutron	HomeWorks® wallbox power module	HW1-WPM-6D-120	100% - 1%	1 - 26	1 - 13
Lutron	GRAFIK Eye® QS control unit	QSCR- QSCRJ	100% - 1%	1 - 26	1 - 13
Lutron	GRAFIK Eye® 3000 control unit	GRX-3100-, GRX-3500-	100% - 1%	1 - 26	1 - 13
Lutron	RPM-4U module	HW-RPM-4U-120, LP-RPM-4U-120	100% - 1%	1 - 26	1 - 13
Lutron	RPM-4A module	HW-RPM-4A-120, LP-RPM-4A-120	100% - 1%	1 - 26	1 - 13
Lutron	GP dimming panels	Various	100% - 1%	1 - 26	1 - 13
Lutron	Aradi CL 250W dimmer	AYCL-253P-	100%-1%	1 - 8	1 - 4
Lutron	Diva CL 250W dimmer	DVCL-253P-, DVSCCL-253P-	100%-1%	1 - 8	1 - 4
Lutron	Crafik T CL or RF CL dimmer	GT-250M-, GTJ-250M-	100%-1%	1 - 8	1 - 4
Lutron	Nova T CL 250W dimmer	NTCL-250-	100%-1%	1 - 10	1 - 5

\* NOTE: Refer to dimmer manufacturer's documentation for installation instructions and circuit details.



SELECTION GUIDE: DIML4

DIMMING DRIVER WIRING SCHEMES:

NOTES:

Wiring diagrams are examples of typical installations intended to illustrate the number of wires that must be run to fixture. These diagrams are not intended to specify all equipment necessary for a given dimming circuit. Refer to specific dimmer manufacturer's documentation for details.

IMPORTANT SAFETY INSTRUCTIONS

- SAVE THESE INSTRUCTIONS

1. Keep these instructions in a safe place for future reference.
2. Only qualified electricians in accordance to local codes should install these fixtures.
3. De-energize the electrical circuit at the circuit breaker prior to installation process or servicing.
4. Make sure all connections are in accordance with the National Electrical Code and any local regulations.
5. Cap any wires not used separately (not together).

**DIML4 LED: Lutron Hi-Lume A-Series LED Driver with 3-Wire FL Control / LED Dimming Driver Wiring (Dims down to 1%)**

DIML4 3-Wire Dimmer Compatibility Chart					
Manufacturer	Product	Part Number	Dimmed Light Output Range	Qty Fixtures Per Control*	
				Fixture Wattage	
<b>120V Only</b>					
ETC	Sensors Cabinet	D2D Dimming module	100% - 1%	1 - 53	1 - 26
ETC	Unison DRd Cabinet	D2D Dimming module	100% - 1%	1 - 53	1 - 26
Lutron	Nova T	NTF-10-	100%-1%	1 - 41	1 - 20
Lutron	Nova T	NTF-103P-	100%-1%	1 - 20	1 - 10
Lutron	Nova	NF-10-	100%-1%	1 - 41	1 - 20
Lutron	Nova	NF-103P-	100%-1%	1 - 20	1 - 10
Lutron	Vario	VF-10-	100%-1%	1 - 20	1 - 10
Lutron	SkyLark	SF-10P-, SF-103P-	100%-1%	1 - 20	1 - 10
Lutron	Diva	DVF-103P-, DVSCF-103P-	100%-1%	1 - 20	1 - 10
Lutron	Aradi	AYI-103P-	100%-1%	1 - 20	1 - 10
Lutron	Verb	VTF-6A-	100%-1%	1 - 15	1 - 7
Lutron	Maestro	MAF-6AM-, MSCF-6AM-	100%-1%	1 - 15	1 - 7
Lutron	Maestro Wireless	MRF2-F6AN-DV-	100%-1%	1 - 15	1 - 7
Lutron	RadioRA 2	RRD-F6AN-DV-	100%-1%	1 - 15	1 - 7
Lutron	HomeWorks QS	HQRD-F6AN-DV	100%-1%	1 - 15	1 - 7
Lutron	Interfaces	PHPM-3F-120, PPHM-3F-DV	100%-1%	1 - 41	1 - 20
Lutron	GP Dimming Panels	Various	100%-1%	1 - 41	1 - 20
<b>277V Only</b>					
				40W and Less	41W - 80W
ETC	Sensors Cabinet	D2D Dimming module	100% - 1%	1 - 53	1 - 26
ETC	Unison DRd Cabinet	D2D Dimming module	100% - 1%	1 - 53	1 - 26
Lutron	Nova T	NTF-10-277-	100%-1%	1 - 44	1 - 22
Lutron	Nova T	NTF-103P-277-	100%-1%	1 - 33	1 - 16
Lutron	Nova	NF-10-277-	100%-1%	1 - 44	1 - 22
Lutron	Nova	NF-103P-277-	100%-1%	1 - 33	1 - 16
Lutron	SkyLark	SF-12P-277-, SF-12P-277-3	100%-1%	1 - 33	1 - 16
Lutron	Diva	DVF-103P-277-, DVSCF-103P-277-	100%-1%	1 - 33	1 - 16
Lutron	Aradi	AYI-103P-277-	100%-1%	1 - 44	1 - 22
Lutron	Verb	VTF-6A-	100%-1%	1 - 33	1 - 16
Lutron	Maestro	MAF-6AM-277-, MSCF-6AM-277-	100%-1%	1 - 20	1 - 10
Lutron	Maestro Wireless	MRF2-F6AN-DV-	100%-1%	1 - 33	1 - 16
Lutron	RadioRA 2	RRD-F6AN-DV-	100%-1%	1 - 33	1 - 16
Lutron	HomeWorks QS	HQRD-F6AN-DV	100%-1%	1 - 33	1 - 16
Lutron	Interfaces	PHPM-3F-DV	100%-1%	1 - 80	1 - 44
Lutron	GP Dimming Panels	Various	100%-1%	1 - 80	1 - 44

\* NOTE: Number of fixtures may be higher if wattage is less than maximum values shown. Refer to dimmer manufacturer's documentation for installation instructions and circuit details.



SELECTION GUIDE: DIML4

**DIMMING DRIVER WIRING SCHEMES:**

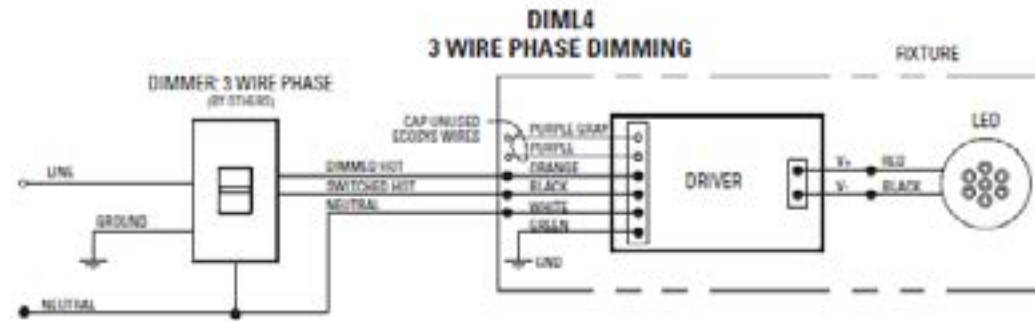
**NOTES:**

Wiring diagrams are examples of typical installations intended to illustrate the number of wires that must be run to fixture. These diagrams are not intended to specify all equipment necessary for a given dimming circuit. Refer to specific dimmer manufacturer's documentation for details.

**IMPORTANT SAFETY INSTRUCTIONS  
- SAVE THESE INSTRUCTIONS**

1. Keep these instructions in a safe place for future reference.
2. Only qualified electricians in accordance to local codes should install these fixtures.
3. De-energize the electrical circuit at the circuit breaker prior to installation process or servicing.
4. Make sure all connections are in accordance with the National Electrical Code and any local regulations.
5. Cap any wires not used separately (not together).

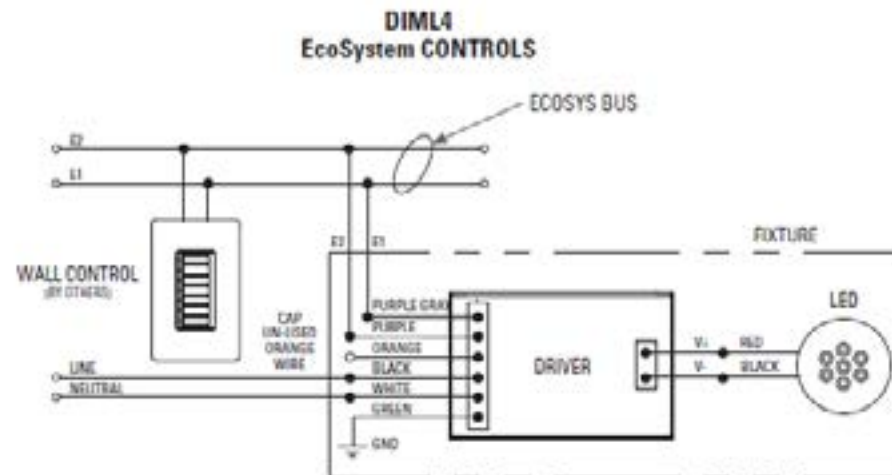
**DIML4 LED: Lutron Hi-Lume A-Series LED Driver with 3-Wire FL Control / LED Dimming Driver Wiring (Dims down to 1%)**



**DIML4 LED: Lutron Hi-Lume A-Series LED Driver with EcoSystem Control / LED Dimming Driver Wiring (Dims down to 1%)**

DIML4 EcoSystem Dimmer Compatibility Chart					
Manufacturer	Product	Part Number	Dimmed Light Output Range	Qty Fixtures Per Control*	
				39W and Less	40W - 80W
<b>120V / 277V</b>					
Lutron	PowerPak dimming module	RMJ-ECO32-DV-B	100%-1%	1-32	1-16
Lutron	Energy Savr Node	OSN-1ECO-S, OSN-2ECO-S	100%-1%	1-64	1-32
Lutron	GRAFK Eye QS (120V ONLY)	OSGR-E, OSGR-E	100%-1%	1-64	1-32
Lutron	Quantum	Various	100%-1%	1-64	1-32

\* NOTE: Number of fixtures may be higher if wattage is less than maximum values shown. Refer to dimmer manufacturer's documentation for installation instructions and circuit details.



SELECTION GUIDE: DIML6A, 6B

**DIMMING DRIVER WIRING SCHEMES:**

**NOTES:**

Wiring diagrams are examples of typical installations intended to illustrate the number of wires that must be run to fixture. These diagrams are not intended to specify all equipment necessary for a given dimming circuit. Refer to specific dimmer manufacturer's documentation for details.

**IMPORTANT SAFETY INSTRUCTIONS  
- SAVE THESE INSTRUCTIONS**

1. Keep these instructions in a safe place for future reference.
2. Only qualified electricians in accordance to local codes should install these fixtures.
3. De-energize the electrical circuit at the circuit breaker prior to installation process or servicing.
4. Make sure all connections are in accordance with the National Electrical Code and any local regulations.
5. Cap any wires not used separately (not together).

**DIML6A LED: EldoLED SOLOdrive 561/S 0-10V control 100%-0.1% linear-programmed dimming driver for use with logarithmic-style controls (e.g., Lutron and others listed in the table below)**

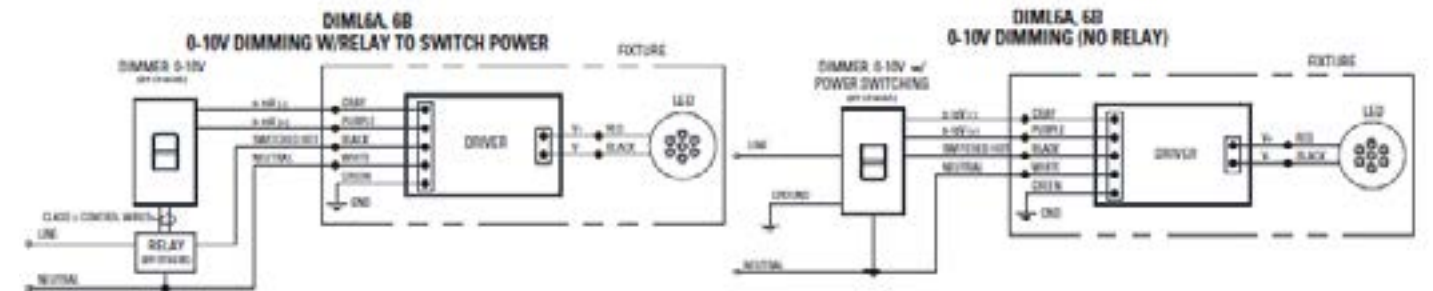
DIML6A Dimmer Compatibility Chart				
Manufacturer	Product	Part Number	Dimmed Light Output Range	Qty Fixtures Per Dimmer*
<b>120V &amp; 277V</b>				
Lutron	Dimm	DVTI/NFTV/NTFTV with PP-20	99% - 0.1%	Refer to manufacturer's dimmer load rating for maximum and minimum fixture quantities per dimmer.
Lutron	Energy Savr Node	OSN-4T1S-S	100% - 0.1%	
Lutron	GP Dimming Panels	TVM2 Module	99% - 0.1%	
Lutron	Interfaces	GRX-TVI w/ GRX3503	100% - 0.1%	
Sensor Switch	nIQ	nIQ EZ	100% - 0.1%	

\* NOTE: Refer to dimmer manufacturer's documentation for installation instructions and circuit details.

**DIML6B LED: EldoLED SOLOdrive 561/S 0-10V control 100%-0.1% logarithmic-programmed dimming driver for use with linear-style controls (e.g., Crestron, non-Lutron, and others listed in the table below)**

DIML6B Dimmer Compatibility Chart				
Manufacturer	Product	Part Number	Dimmed Light Output Range	Qty Fixtures Per Dimmer*
<b>120V &amp; 277V</b>				
Bush-Jeeper	Electronic potentiometer	2112U-101	100% - 0.1%	Refer to manufacturer's dimmer load rating for maximum and minimum fixture quantities per dimmer.
Jung	Electronic potentiometer	240-10	100% - 0.1%	
Leviton	IlumaTech dimmer	1P710-DLX	100% - 0.1%	
Lightolier (Philips)	Momentum (120V ONLY)	ZP800FAM120	100% - 0.1%	
Marton	Electronic potentiometer	5728	100% - 0.1%	
Pass & Seymour	Tran	CD4FB-W	100% - 0.1%	
Watt Stopper	Miro	DCLV1	100% - 0.1%	
Synergy	Wallbox Dimmers	ISD-BC	100% - 0.1%	
ABB	i-bus	SD/S 2 16.1	100% - 0.1%	
Crestron	Modules	GLX-DIMFLV6, GLXP-DIMFLV6	100% - 0.1%	
Crestron	Green Light	GLPAC-DIMFLV4-, GLPAC-DIMFLV6-	100% - 0.1%	
Crestron	Green Light Power Pack	GLPP-DIMFLVEX-PM, GLPP-1DIMFLV2EX-PM, GLPP-1DIMFLV3EX-PM	100% - 0.1%	
Crestron	DIN Rail Analog Output Module	DIN-A08	100% - 0.1%	
Crestron	DIN Rail 0-10V Fluorescent Dimmer	DIN-4DIMFLV4	100% - 0.1%	
Crestron	ilux 0-10V Dimmer Expansion Module	CLS-EXP-DIMFLV	100% - 0.1%	

\* NOTE: Refer to dimmer manufacturer's documentation for installation instructions and circuit details.



SELECTION GUIDE: DIML7

**DIMMING DRIVER WIRING SCHEMES:**

**NOTES:**

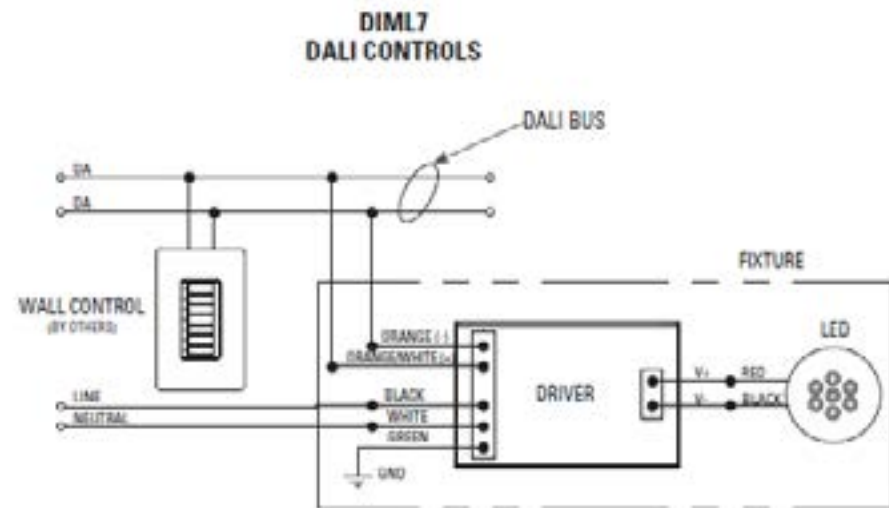
Wiring diagrams are examples of typical installations intended to illustrate the number of wires that must be run to fixture. These diagrams are not intended to specify all equipment necessary for a given dimming circuit. Refer to specific dimmer manufacturer's documentation for details.

**IMPORTANT SAFETY INSTRUCTIONS**

**- SAVE THESE INSTRUCTIONS**

1. Keep these instructions in a safe place for future reference.
2. Only qualified electricians in accordance to local codes should install these fixtures.
3. De-energize the electrical circuit at the circuit breaker prior to installation process or servicing.
4. Make sure all connections are in accordance with the National Electrical Code and any local regulations.
5. Cap any wires not used separately (not together).

**DIML7 LED: EldoLED DALI Dimming Driver Wiring (Dims down to 0.1%)**



SELECTION GUIDE: DIML9

**DIMMING DRIVER WIRING SCHEMES:**

**NOTES:**

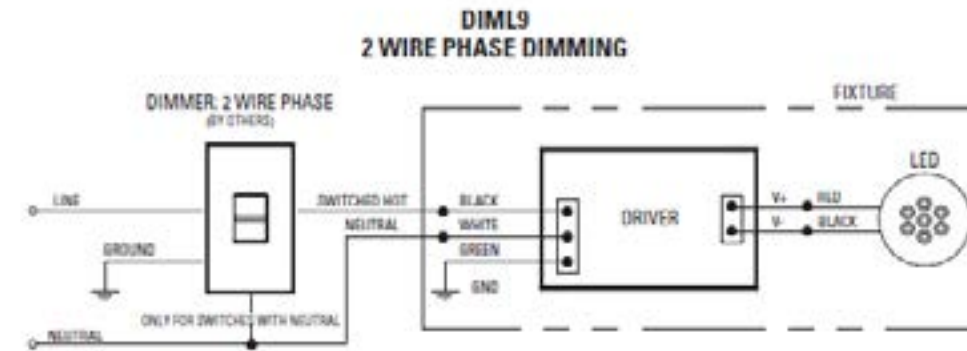
Wiring diagrams are examples of typical installations intended to illustrate the number of wires that must be run to fixture. These diagrams are not intended to specify all equipment necessary for a given dimming circuit. Refer to specific dimmer manufacturer's documentation for details.

**IMPORTANT SAFETY INSTRUCTIONS**

**- SAVE THESE INSTRUCTIONS**

1. Keep these instructions in a safe place for future reference.
2. Only qualified electricians in accordance to local codes should install these fixtures.
3. De-energize the electrical circuit at the circuit breaker prior to installation process or servicing.
4. Make sure all connections are in accordance with the National Electrical Code and any local regulations.
5. Cap any wires not used separately (not together).

**DIML9 LED: TRIAC Forward Phase Dimming Driver Wiring (Dims down to 15%) 120V Only**





## SELECTION GUIDE: DIML10

### DIMMING DRIVER WIRING SCHEMES:

#### NOTES:

Wiring diagrams are examples of typical installations intended to illustrate the number of wires that must be run to fixture. These diagrams are not intended to specify all equipment necessary for a given dimming circuit. Refer to specific dimmer manufacturer's documentation for details.

#### IMPORTANT SAFETY INSTRUCTIONS

##### - SAVE THESE INSTRUCTIONS

1. Keep these instructions in a safe place for future reference.
2. Only qualified electricians in accordance to local codes should install these fixtures.
3. De-energize the electrical circuit at the circuit breaker prior to installation process or servicing.
4. Make sure all connections are in accordance with the National Electrical Code and any local regulations.
5. Cap any wires not used separately (not together).

### DIML10 LED: ELV Reverse Phase Dimming Driver Wiring (Dims down to 15%) 120V Only

