

PROJECT: \_\_\_\_\_

TYPE: \_\_\_\_\_

NOTES: \_\_\_\_\_



## W1251

Our narrow footprint housing provides an economical architectural solution while delivering high performance with LEDs.

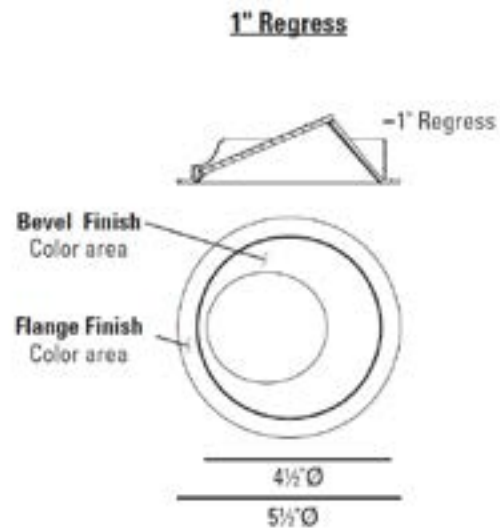
### Features

- Damp Location Rated
- 80+ CRI offered
- Several color temperatures available

### Applications

- Offices
- Reception Areas
- Corridors

### Extrusion Dimensions



### LED System Information

	14 Watts	20 Watts
Color Rendering Index	80+ CRI	80+ CRI
Lumens per Watt	52	46
Source Lumens	1100	1500
Delivered Lumens	725	950

	2700K	3000K	3500K
Color Rendering Index	80+ CRI	80+ CRI	80+ CRI
Multiplier for Lumens	1.00	1.00	1.08

### Ordering Information:

W1251	Option	Bevel Style	Flange Finish	Housing Code	Wattage	Engine Code	Color
Trim W1251 Round Wall Wash 1" Regress	W-Wet Location* TZ-6" TechZone Ceiling Compatible (NCSM Only)	B1-1" Regressed Bevel-Die Cast AB1-1" Regressed Bevel-Black Anodized AC1-1" Regressed Bevel-Clear Matte	10- White 13- Statuary Bronze 21- Black 28- Metalized Grey RAL- Custom Color (specify color)	LRTW4	6014- 14W, 775 Lumens 6020- 20W, 1000 Lumens	M2	27KS- 2700K (80+CRI) 30KS 3000K (80+CRI) 35KS 3500K (80+CRI)

\*B1 trims only

Housing Type	Voltage	Driver	Accessories
NCSM1- New Construction, Narrow Width IC- Insulation Contact*	120 277	DIML2- Standard 10% Dimming (0-10V) DIML3- Lutron A 2-Wire, 1% DIML4- Standard 10% Dimming (0-10V) DIML6A- EidoLED 0-10V Lutron, 0.1% DIML6B- EidoLED 0-10V Linear, 0.1% DIML9- TRIAC 15% 2-wire, 120V only DIML10- ELV 15% 2-wire, 120V only	CB27- 27" C-Channel Bars CB52- 52" C-Channel Bars EML- Emergency battery* EMLW- Emergency battery, wet location* MLXX- Mill adapter** XX=Specify Color MOD- Custom Color

\*Not available with EM

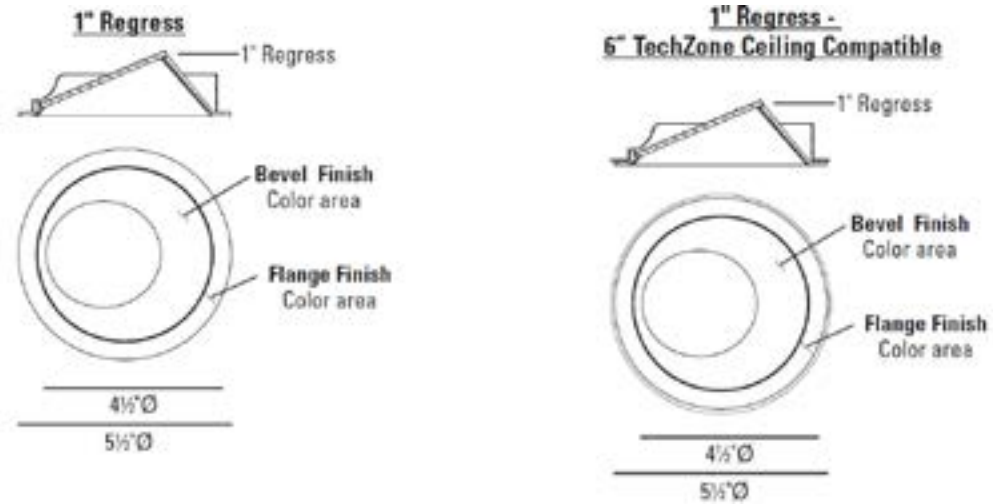
\*EM requires above ceiling access.

For use with NC housings only.

\*\*N/A with NCSM1 housing

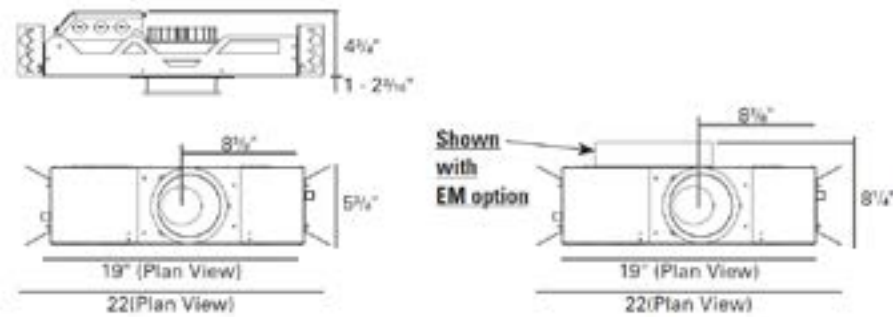
Ordering Example: W1121-W-B1-21-LRTW4-6020-M2-27KS--IC-120-DIML3-EML

Trim Information:

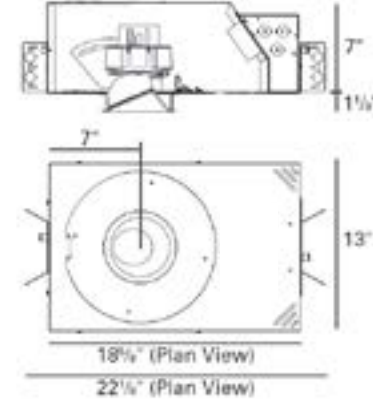


Housing Information:

New Construction, Narrow Width - NCSM



IC / Airtight - IC



Specifications:

**TRIM:** 4-1/2" square aperture with a 1" regressed bevel and 1/2" flange, retained by two mounting clips. Die cast aluminum bevel is self-flanged and is available in white, statuary bronze, black, and metalized grey finishes. Also available in black anodized or clear matte bevel, with painted flange. Custom color flanges available (provide RAL#).

**TRIM LENS:** Micro diffusion lens.

**REFLECTOR:** Precision injection molded specular polycarbonate reflector optimized for wall wash distribution.

**FIELD REPLACEABLE LIGHT ENGINE:** Available in 2 lumen packages: 14W (625 delivered lumens), 20W (800 lm). Engine is field replaceable through the aperture without tools.

**COLOR:** Available in 4 color temperatures (2700K, 3000K, 3500K). All color options are tightly binned for fixture-to-fixture color consistency within a 2-Step MacAdam Ellipse. 80+ color rendering index provided standard. 80+ CRI provided standard.

**RATED LIFE:** Based on IESNA LM80-2008 50,000 hours at 70% lumen maintenance (L70).

**THERMAL MANAGEMENT:** Proprietary high performance aluminum die cast heatsink for maximum LED life. Ambient temperatures at fixture location should not exceed 40°C during normal operation.

**FIELD REPLACEABLE DRIVER:** 0-10V, 100%-10% solid state electronic constant current DIML2 dimming driver with a high power factor provided standard and sources 2mA. Specify 120V or 277V. Driver complies with IEEE62.41 surge protection.

**DIMMING OPTIONS:** Multiple dimming drivers available. See Some on-time delay may be experienced depending on control system used. Note: DIML6A logarithmic control is intended for use with Lutron control systems; DIML6B linear control is intended for use with non-Lutron controls. DIML6 drivers source 2mA.

**EMERGENCY:** Emergency lighting battery pack is provided with remote test switch and require above ceiling access for service. EM option is not available with IC housings.

**MOUNTING:** Butterfly brackets and adjustable nailer bars with integral nails provided. Nailer bars are extendible from 14" to 24" centers.

**HOUSING:** Fabricated of 20 ga. galvanized steel with thru wire J-box, 4 in 4 out at min. 90°C, #12 AWG thru branch circuit wiring. IC rated housing rated for direct contact with insulation.

**MAXIMUM CEILING THICKNESS:** As per drawings above. ML option is for 1" max thickness wood with IC housing and for 2-1/4" max thickness wood with NCSM2 housing. Millwork option is not available with NCSM1 housing.

**CEILING CUT OUT:** 5-1/16"Ø

**LISTINGS:** Dry/damp. Wet location option is available. Tested to UL standards. IBEW union made.

**WARRANTY:** 5 years.

**NOTES:** Not for use in corrosive environment. Use of pressure washer voids warranty.

**PHOTOMETRICS:** Consult factory or website for IES files. Tested in accordance with IESNA LM79-2008.

SELECTION GUIDE: DIML2

DIMMING DRIVER WIRING SCHEMES:

NOTES:

Wiring diagrams are examples of typical installations intended to illustrate the number of wires that must be run to fixture. These diagrams are not intended to specify all equipment necessary for a given dimming circuit. Refer to specific dimmer manufacturer's documentation for details.

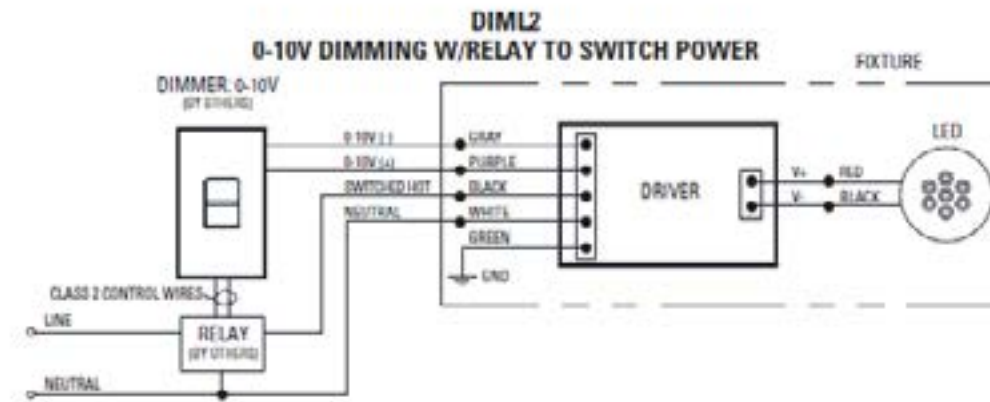
IMPORTANT SAFETY INSTRUCTIONS - SAVE THESE INSTRUCTIONS

1. Keep these instructions in a safe place for future reference.
2. Only qualified electricians in accordance to local codes should install these fixtures.
3. De-energize the electrical circuit at the circuit breaker prior to installation process or servicing.
4. Make sure all connections are in accordance with the National Electrical Code and any local regulations.
5. Cap any wires not used separately (not together).

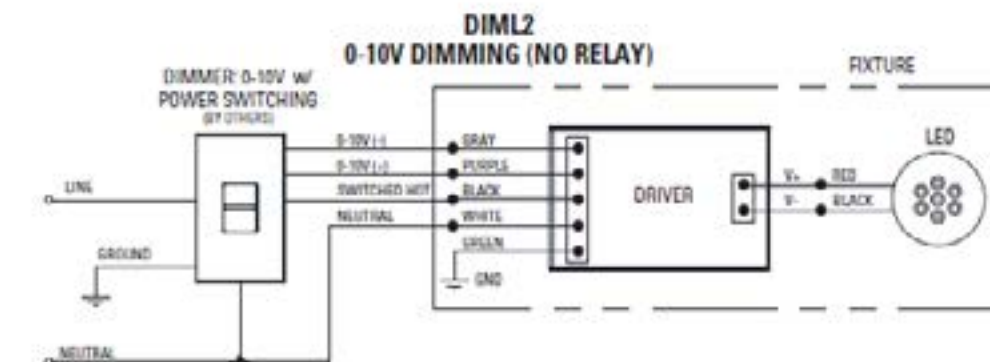
DIML2 LED: 0-10V Dimming Driver Wiring (Dims down to 10%)

DIML2 Dimmer Compatibility Chart				
Manufacturer	Product	Part Number	Dimmed Light Output Range	Qty Fixtures Per Dimmer*
<b>120V / 277V</b>				
Crestron	iLux dimmer expansion module	CLS-EXP-DIMFLV	100% - 10%	Use source current per fixture specification sheet to determine number of fixtures per dimmer. Max number of fixtures is limited by dimmer load rating.
Crestron	DIN Rail dimmer	DIN-4DIMFLV4	100% - 10%	
Crestron	DIN Rail analog output module	DIN-AOP	100% - 10%	
Crestron	8 Channel dimmer module	GLX-DIMFLV8	100% - 10%	
Crestron	8 Channel dimmer module	GLXP-DIMFLV8	100% - 10%	
Leviton	illumaTech dimmer	IP710-DLX	100% - 10%	
Lightolier (Philips)	Vega	V2000FAMU	100% - 10%	
Lutron	Diva	DVTV-XX	100% - 10%	

\* NOTE: Refer to dimmer manufacturer's documentation for installation instructions and circuit details.



**NOTE:** If switched, non-dimming operation is desired, cap off purple and gray wires individually at installation. Do NOT cap purple and gray wires together.



**NOTE:** If switched, non-dimming operation is desired, cap off purple and gray wires individually at installation. Do NOT cap purple and gray wires together.



**DIMMING DRIVER WIRING SCHEMES:**

**NOTES:**

Wiring diagrams are examples of typical installations intended to illustrate the number of wires that must be run to fixture. These diagrams are not intended to specify all equipment necessary for a given dimming circuit. Refer to specific dimmer manufacturer's documentation for details.

**IMPORTANT SAFETY INSTRUCTIONS**

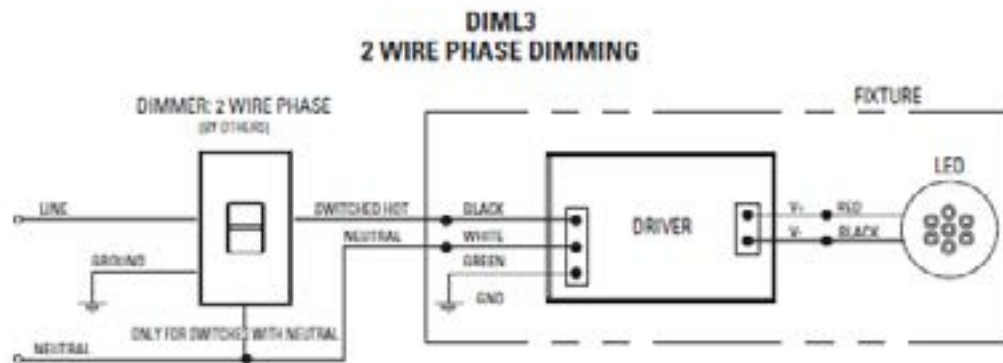
**- SAVE THESE INSTRUCTIONS**

1. Keep these instructions in a safe place for future reference.
2. Only qualified electricians in accordance to local codes should install these fixtures.
3. De-energize the electrical circuit at the circuit breaker prior to installation process or servicing.
4. Make sure all connections are in accordance with the National Electrical Code and any local regulations.
5. Cap any wires not used separately (not together).

**DIML3 LED: Lutron Hi-Lume A-Series 2 Wire Fwd Phase (with neutral) / LED Dimming Driver Wiring (Dims down to 1%) 120V only.**

DIML3 Dimmer Compatibility Chart					
Manufacturer	Product	Part Number	Dimmed Light Output Range	Qty Fixtures Per Dimmer*	
				Fixture Wattage	
120V Only					
				39W and Less	40W - 80W
ETC	Sensors Cabinet	ELV10	100% - 1%	1 - 26	1 - 13
ETC	Unison DRd Cabinet	ELV10	100% - 1%	1 - 26	1 - 13
Lutron	Maestro Wireless® 600W dimmer	MRF2-6ND-120-	100% - 1%	1 - 8	1 - 4
Lutron	Maestro Wireless® 1000W dimmer	MRF2-10ND-120-	100% - 1%	1 - 13	1 - 6
Lutron	HomeWorks® QS adaptive dimmer	HQRD-6NA-	100% - 1%	1 - 8	1 - 4
Lutron	HomeWorks® QS 600W dimmer	HQRD-6ND	100% - 1%	1 - 8	1 - 4
Lutron	HomeWorks® QS 1000 W dimmer	HQRD-10ND-	100% - 1%	1 - 13	1 - 6
Lutron	Caseta Wireless® Pro 1000W dimmer	PD-10NXD-	100% - 1%	1 - 13	1 - 6
Lutron	Stanza® dimmer	SZ-6ND-	100% - 1%	1 - 8	1 - 4
Lutron	RadioRA® 2 adaptive dimmer	RRD-6NA-	100% - 1%	1 - 8	1 - 4
Lutron	RadioRA® 2 1000 W dimmer	RRD-10ND-	100% - 1%	1 - 6	1 - 3
Lutron	myRoom DIN power module	MQSE-4A1-D	100% - 1%	1 - 6	1 - 3
Lutron	HomeWorks® QS wallbox power module	HQB1-WPM-6D-120-	100% - 1%	1 - 26	1 - 13
Lutron	HomeWorks® DIN power module	LQSE-4A1-D	100% - 1%	1 - 6	1 - 3
Lutron	HomeWorks® wallbox power module	HW1-WPM-6D-120	100% - 1%	1 - 26	1 - 13
Lutron	GRAFIK Eye® QS control unit	QSCR- QSCRJ	100% - 1%	1 - 26	1 - 13
Lutron	GRAFIK Eye® 3000 control unit	GRX-3100-, GRX-3500-	100% - 1%	1 - 26	1 - 13
Lutron	RPM-4U module	HW-RPM-4U-120, LP-RPM-4U-120	100% - 1%	1 - 26	1 - 13
Lutron	RPM-4A module	HW-RPM-4A-120, LP-RPM-4A-120	100% - 1%	1 - 26	1 - 13
Lutron	GP dimming panels	Various	100% - 1%	1 - 26	1 - 13
Lutron	Aradisi CL 250W dimmer	AYCL-253P-	100% - 1%	1 - 8	1 - 4
Lutron	Diva CL 250W dimmer	DVCL-253P-, DVSCCL-253P-	100% - 1%	1 - 8	1 - 4
Lutron	Crafik T CL or RF CL dimmer	GT-250M-, GTJ-250M-	100% - 1%	1 - 8	1 - 4
Lutron	Nova T CL 250W dimmer	NTCL-250-	100% - 1%	1 - 10	1 - 5

\* NOTE: Refer to dimmer manufacturer's documentation for installation instructions and circuit details.



**DIMMING DRIVER WIRING SCHEMES:**

**NOTES:**

Wiring diagrams are examples of typical installations intended to illustrate the number of wires that must be run to fixture. These diagrams are not intended to specify all equipment necessary for a given dimming circuit. Refer to specific dimmer manufacturer's documentation for details.

**IMPORTANT SAFETY INSTRUCTIONS**

**- SAVE THESE INSTRUCTIONS**

1. Keep these instructions in a safe place for future reference.
2. Only qualified electricians in accordance to local codes should install these fixtures.
3. De-energize the electrical circuit at the circuit breaker prior to installation process or servicing.
4. Make sure all connections are in accordance with the National Electrical Code and any local regulations.
5. Cap any wires not used separately (not together).

**DIML4 LED: Lutron Hi-Lume A-Series LED Driver with 3-Wire FL Control / LED Dimming Driver Wiring (Dims down to 1%)**

DIML4 3-Wire Dimmer Compatibility Chart					
Manufacturer	Product	Part Number	Dimmed Light Output Range	Qty Fixtures Per Control*	
				Fixture Wattage	
120V Only					
				39W and Less	40W - 80W
ETC	Sensors Cabinet	D2D Dimming module	100% - 1%	1-53	1-26
ETC	Unison DRd Cabinet	D2DF Dimming module	100% - 1%	1-53	1-26
Lutron	Nova T	NTF-10-	100%-1%	1-41	1-20
Lutron	Nova T	NTF-103P-	100%-1%	1-20	1-10
Lutron	Nova	NF-10-	100%-1%	1-41	1-20
Lutron	Nova	NF-103P-	100%-1%	1-20	1-10
Lutron	Vario	VF-10-	100%-1%	1-20	1-10
Lutron	SkyLark	SF-10P-, SF-103P-	100%-1%	1-20	1-10
Lutron	Diva	DVF-103P-, DVSCF-103P-	100%-1%	1-20	1-10
Lutron	Aradisi	AYI-103P-	100%-1%	1-20	1-10
Lutron	Vari	VTF-6A-	100%-1%	1-15	1-7
Lutron	Maestro	MAF-6AM-, MSCF-6AM-	100%-1%	1-15	1-7
Lutron	Maestro Wireless	MRF2-F6AN-DV-	100%-1%	1-15	1-7
Lutron	RadioRA 2	RRD-F6AN-DV-	100%-1%	1-15	1-7
Lutron	HomeWorks QS	HQRD-F6AN-DV	100%-1%	1-15	1-7
Lutron	Interfaces	PHPM-3F-120, PPHM-3F-DV	100%-1%	1-41	1-20
Lutron	GP Dimming Panels	Various	100%-1%	1-41	1-20
277V Only					
				40W and Less	41W - 80W
ETC	Sensors Cabinet	D2D Dimming module	100% - 1%	1-53	1-26
ETC	Unison DRd Cabinet	D2DF Dimming module	100% - 1%	1-53	1-26
Lutron	Nova T	NTF-10-277-	100%-1%	1-44	1-22
Lutron	Nova T	NTF-103P-277-	100%-1%	1-33	1-16
Lutron	Nova	NF-10-277-	100%-1%	1-44	1-22
Lutron	Nova	NF-103P-277-	100%-1%	1-33	1-16
Lutron	SkyLark	SF-12P-277-, SF-12P-277-3	100%-1%	1-33	1-16
Lutron	Diva	DVF-103P-277-, DVSCF-103P-277-	100%-1%	1-33	1-16
Lutron	Aradisi	AYI-103P-277-	100%-1%	1-44	1-22
Lutron	Vari	VTF-6A-	100%-1%	1-33	1-16
Lutron	Maestro	MAF-6AM-277-, MSCF-6AM-277-	100%-1%	1-20	1-10
Lutron	Maestro Wireless	MRF2-F6AN-DV-	100%-1%	1-33	1-16
Lutron	RadioRA 2	RRD-F6AN-DV-	100%-1%	1-33	1-16
Lutron	HomeWorks QS	HQRD-F6AN-DV	100%-1%	1-33	1-16
Lutron	Interfaces	PHPM-3F-DV	100%-1%	1-80	1-44
Lutron	GP Dimming Panels	Various	100%-1%	1-80	1-44

\* NOTE: Number of fixtures may be higher if wattage is less than maximum values shown. Refer to dimmer manufacturer's documentation for installation instructions and circuit details.



SELECTION GUIDE: DIML4

**DIMMING DRIVER WIRING SCHEMES:**

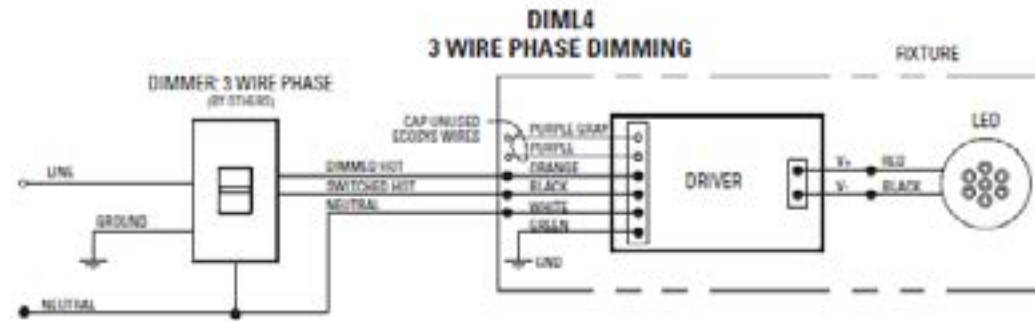
**NOTES:**

Wiring diagrams are examples of typical installations intended to illustrate the number of wires that must be run to fixture. These diagrams are not intended to specify all equipment necessary for a given dimming circuit. Refer to specific dimmer manufacturer's documentation for details.

**IMPORTANT SAFETY INSTRUCTIONS  
- SAVE THESE INSTRUCTIONS**

1. Keep these instructions in a safe place for future reference.
2. Only qualified electricians in accordance to local codes should install these fixtures.
3. De-energize the electrical circuit at the circuit breaker prior to installation process or servicing.
4. Make sure all connections are in accordance with the National Electrical Code and any local regulations.
5. Cap any wires not used separately (not together).

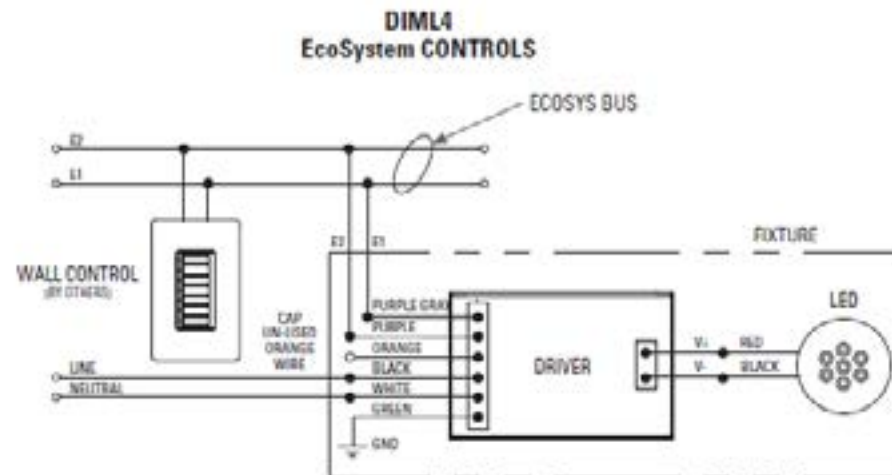
**DIML4 LED: Lutron Hi-Lume A-Series LED Driver with 3-Wire FL Control / LED Dimming Driver Wiring (Dims down to 1%)**



**DIML4 LED: Lutron Hi-Lume A-Series LED Driver with EcoSystem Control / LED Dimming Driver Wiring (Dims down to 1%)**

DIML4 EcoSystem Dimmer Compatibility Chart					
Manufacturer	Product	Part Number	Dimmed Light Output Range	Qty Fixtures Per Control*	
				Fixture Wattage	39W and Less
<b>120V / 277V</b>					
Lutron	ProPak dimming module	RMJ-ECO32-DV-B	100%-1%	1-32	1-16
Lutron	Energy Savr Node	OSN-1ECO-S, OSN-2ECO-S	100%-1%	1-64	1-32
Lutron	GRAFK Eye QS (120V ONLY)	OSGR- E, OSGR- E	100%-1%	1-64	1-32
Lutron	Quantum	Various	100%-1%	1-64	1-32

\* NOTE: Number of fixtures may be higher if wattage is less than maximum values shown. Refer to dimmer manufacturer's documentation for installation instructions and circuit details.



SELECTION GUIDE: DIML6A, 6B

**DIMMING DRIVER WIRING SCHEMES:**

**NOTES:**

Wiring diagrams are examples of typical installations intended to illustrate the number of wires that must be run to fixture. These diagrams are not intended to specify all equipment necessary for a given dimming circuit. Refer to specific dimmer manufacturer's documentation for details.

**IMPORTANT SAFETY INSTRUCTIONS  
- SAVE THESE INSTRUCTIONS**

1. Keep these instructions in a safe place for future reference.
2. Only qualified electricians in accordance to local codes should install these fixtures.
3. De-energize the electrical circuit at the circuit breaker prior to installation process or servicing.
4. Make sure all connections are in accordance with the National Electrical Code and any local regulations.
5. Cap any wires not used separately (not together).

**DIML6A LED: EldoLED SOLOdrive 561/S 0-10V control 100%-0.1% linear-programmed dimming driver for use with logarithmic-style controls (e.g., Lutron and others listed in the table below)**

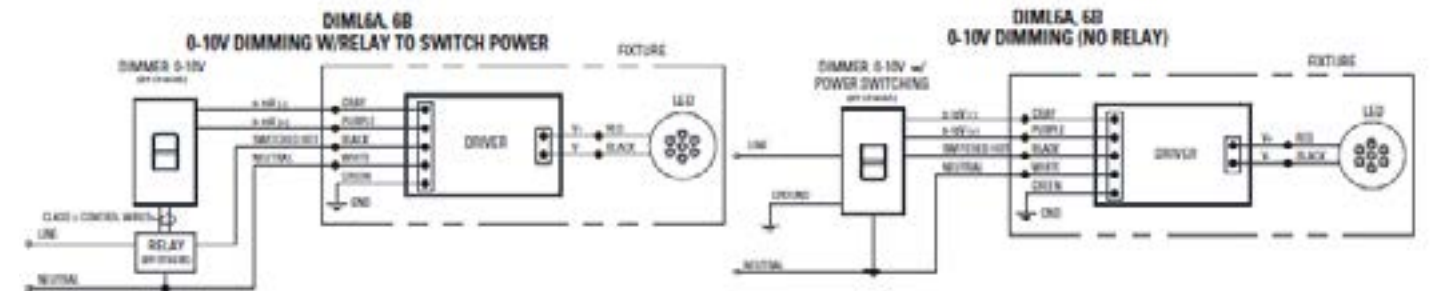
DIML6A Dimmer Compatibility Chart				
Manufacturer	Product	Part Number	Dimmed Light Output Range	Qty Fixtures Per Dimmer*
<b>120V &amp; 277V</b>				
Lutron	Dim	DVTI/INTV/INTTV with PP-20	99% - 0.1%	Refer to manufacturer's dimmer load rating for maximum and minimum fixture quantities per dimmer.
Lutron	Energy Savr Node	OSN-4T1S-S	100% - 0.1%	
Lutron	GP Dimming Panels	TVM2 Module	99% - 0.1%	
Lutron	Interfaces	GRX-TVI w/ GRX3503	100% - 0.1%	
Sensor Switch	nIQ	nIQ EZ	100% - 0.1%	

\* NOTE: Refer to dimmer manufacturer's documentation for installation instructions and circuit details.

**DIML6B LED: EldoLED SOLOdrive 561/S 0-10V control 100%-0.1% logarithmic-programmed dimming driver for use with linear-style controls (e.g., Crestron, non-Lutron, and others listed in the table below)**

DIML6B Dimmer Compatibility Chart				
Manufacturer	Product	Part Number	Dimmed Light Output Range	Qty Fixtures Per Dimmer*
<b>120V &amp; 277V</b>				
Bush-Jaepp	Electronic potentiometer	2112U-101	100% - 0.1%	Refer to manufacturer's dimmer load rating for maximum and minimum fixture quantities per dimmer.
Jung	Electronic potentiometer	240-10	100% - 0.1%	
Leviton	IlumaTech dimmer	1P710-DLX	100% - 0.1%	
Lightolier (Philips)	Momentum (120V ONLY)	ZP800FAM120	100% - 0.1%	
Marton	Electronic potentiometer	5728	100% - 0.1%	
Pas & Seymour	Tran	CD4FB-W	100% - 0.1%	
Watt Stopper	Micro	DCLV1	100% - 0.1%	
Synergy	Wallbox Dimmers	ISD-BC	100% - 0.1%	
ABB	i-bus	SD/S 2 16.1	100% - 0.1%	
Crestron	Modules	GLX-DIMFLV6, GLXP-DIMFLV6	100% - 0.1%	
Crestron	Green Light	GLPAC-DIMFLV4-, GLPAC-DIMFLV6-	100% - 0.1%	
Crestron	Green Light Power Pack	GLPP-DIMFLVEX-PM, GLPP-1DIMFLV2EX-PM, GLPP-1DIMFLV3EX-PM	100% - 0.1%	
Crestron	DIN Rail Analog Output Module	DIN-A08	100% - 0.1%	
Crestron	DIN Rail 0-10V Fluorescent Dimmer	DIN-4DIMFLV4	100% - 0.1%	
Crestron	ilux 0-10V Dimmer Expansion Module	CLS-EXP-DIMFLV	100% - 0.1%	

\* NOTE: Refer to dimmer manufacturer's documentation for installation instructions and circuit details.



SELECTION GUIDE: DIML7

**DIMMING DRIVER WIRING SCHEMES:**

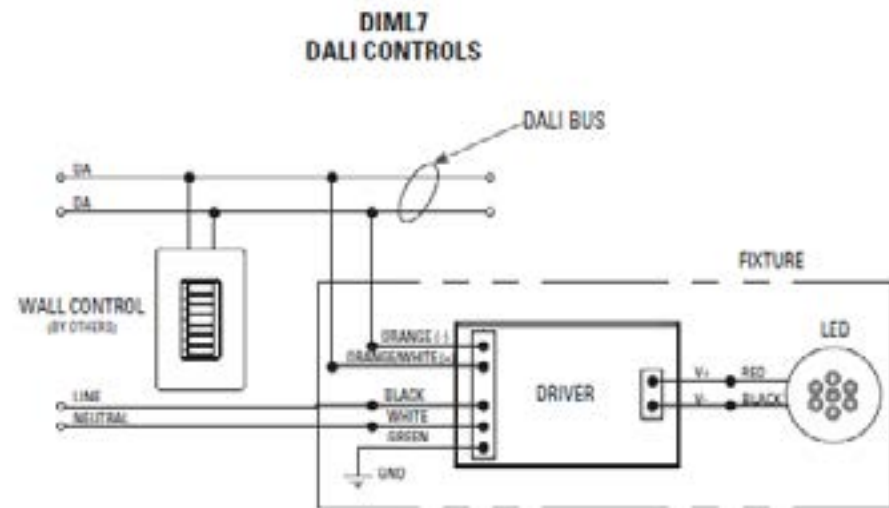
**NOTES:**

Wiring diagrams are examples of typical installations intended to illustrate the number of wires that must be run to fixture. These diagrams are not intended to specify all equipment necessary for a given dimming circuit. Refer to specific dimmer manufacturer's documentation for details.

**IMPORTANT SAFETY INSTRUCTIONS  
- SAVE THESE INSTRUCTIONS**

1. Keep these instructions in a safe place for future reference.
2. Only qualified electricians in accordance to local codes should install these fixtures.
3. De-energize the electrical circuit at the circuit breaker prior to installation process or servicing.
4. Make sure all connections are in accordance with the National Electrical Code and any local regulations.
5. Cap any wires not used separately (not together).

**DIML7 LED: EldoLED DALI Dimming Driver Wiring (Dims down to 0.1%)**



SELECTION GUIDE: DIML9

**DIMMING DRIVER WIRING SCHEMES:**

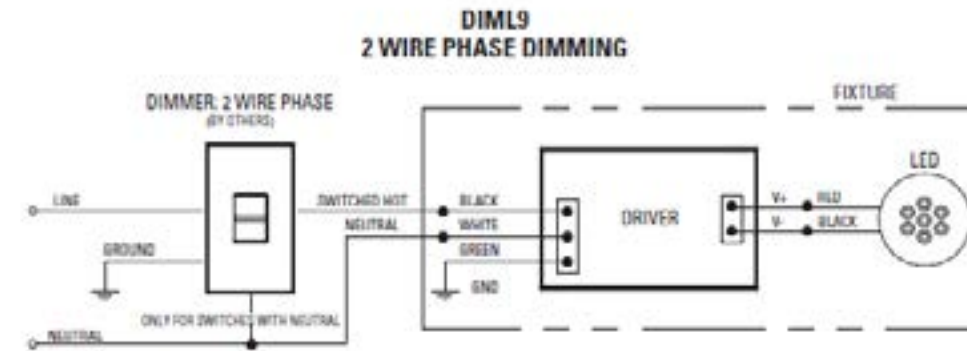
**NOTES:**

Wiring diagrams are examples of typical installations intended to illustrate the number of wires that must be run to fixture. These diagrams are not intended to specify all equipment necessary for a given dimming circuit. Refer to specific dimmer manufacturer's documentation for details.

**IMPORTANT SAFETY INSTRUCTIONS  
- SAVE THESE INSTRUCTIONS**

1. Keep these instructions in a safe place for future reference.
2. Only qualified electricians in accordance to local codes should install these fixtures.
3. De-energize the electrical circuit at the circuit breaker prior to installation process or servicing.
4. Make sure all connections are in accordance with the National Electrical Code and any local regulations.
5. Cap any wires not used separately (not together).

**DIML9 LED: TRIAC Forward Phase Dimming Driver Wiring (Dims down to 15%) 120V Only**





## SELECTION GUIDE: DIML10

### DIMMING DRIVER WIRING SCHEMES:

#### NOTES:

Wiring diagrams are examples of typical installations intended to illustrate the number of wires that must be run to fixture. These diagrams are not intended to specify all equipment necessary for a given dimming circuit. Refer to specific dimmer manufacturer's documentation for details.

### IMPORTANT SAFETY INSTRUCTIONS

#### - SAVE THESE INSTRUCTIONS

1. Keep these instructions in a safe place for future reference.
2. Only qualified electricians in accordance to local codes should install these fixtures.
3. De-energize the electrical circuit at the circuit breaker prior to installation process or servicing.
4. Make sure all connections are in accordance with the National Electrical Code and any local regulations.
5. Cap any wires not used separately (not together).

### DIML10 LED: ELV Reverse Phase Dimming Driver Wiring (Dims down to 15%) 120V Only

