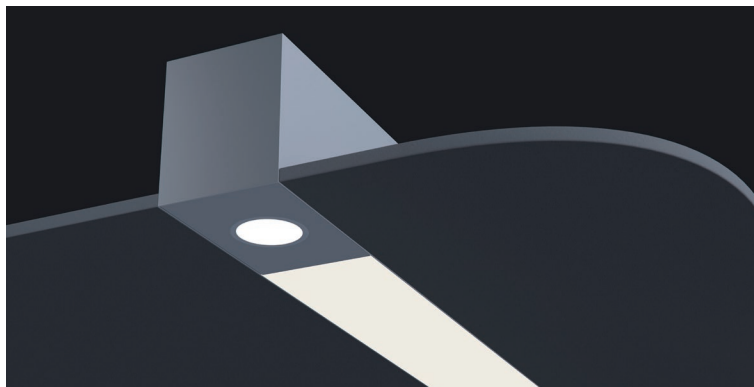


DATE	PROJECT	FIRM	TYPE
------	---------	------	------



Linear, recessed, architectural luminaire with accent downlighting. 3" aperture. Suitable for grid system and drywall installation as well as custom mounting requests.

FEATURES

- Available In Custom Lengths & Long Runs To 1/16" Accuracy
- Corners & Patterns Available (See Page 3)
- Optional 1" Drop Below Lens, 'Pop-Out' Lens
- Damp Location Rated
- CRI 90+ Standard
- 2700K, 3000K, 3500K, 4000K & 5000K Color Temperatures Available
- Enlighted/Wattstopper Sensors Available

APPLICATIONS Offices, Lobbies, Retail Stores, Classrooms, Reception Areas & Corridors

CONSTRUCTION Extruded Aluminum Housing and Steel End Caps. Formed Steel Gear Tray | **OPTICS** Extruded High Transmission Satin Acrylic Lens With No LED Imaging. Accent Lighting Varies (See Page 3)

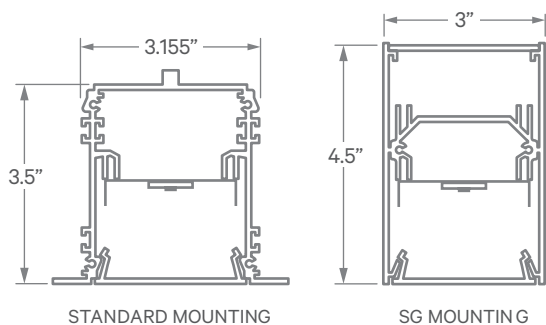
WARRANTY 5 Year Limited Warranty (Covers Standard Components) | **FINISH** Standard Powder-Coated White

FIXTURE RATINGS & CERTIFICATIONS Union Made, DLC Listed, ETL Listed | Made In The USA Damp Location Rated



ELECTRICAL Integral Driver With 0-10V 10% Dimming Standard. Several Driver Options Available. See Below For Lutron Dimming Information

EXTRUSION DIMENSIONS



LED SYSTEM INFORMATION

	Nominal System Watts	Nominal Delivered Lumens	Nominal Efficacy
Standard (LTG1)	40 W	3,160 Lm	79 Lm/W
Low (LTG2)	33 W	2,650 Lm	80 Lm/W
High (LTG3)	48 W	3,675 Lm	77 Lm/W

Based on a 4ft, 3500K luminaire using one driver and (2) standard 10° MR16 lamps. Output varies depending on beam spread. Additional photometric information available. Please consult factory for custom lumen outputs & wattage.

ORDERING

1 - FIXTURE ID	2 - LENGTH	3 - COLOR TEMP	4 - LED SYSTEM	5 - VOLTAGE	6 - DRIVER (Remote)	7 - FINISH
LRK3 LED MR	2 - 2 ft 4 - 4 ft 8 - 8 ft x'-x" - Custom (specify length) **Patterns available consult factory	27 - 2700K/90 CRI 30 - 3000K/90 CRI 35 - 3500K/90 CRI 40 - 4000K/90 CRI 50 - 5000K/90 CRI TW* - Tunable White RGBW* - RGB + 3000K *Must use DMX Driver (Remote)	LTG1 - Standard LTG2 - Low LTG3 - High C - Custom Output (ie-C550Lm/ft)	UNV - Universal (120/277V)	DB - Standard 10% Dimming (0-10V) DB1% - 1% Dimming (0-10V) DB.01% - .01% Dimming (0-10V) LTEA - Lutron 2-wire 1% Dimming (120V) L3DA - Lutron 3-wire 1% Dimming LDE1 - Lutron Digital EcoSystem LDE5 - 5 Series EcoSystem; 5% Dimming DMX - For Color Tuning and RGBW	W - White (Standard) CC - Custom Color (provide RAL#)

8 - MOUNTING	9 - OPTICS	10 - CONTROL (Optional)	11 - CIRCUIT (Optional)	12 - ACCENT LIGHTING (See Page 3)
T - 9/16" Tee Grid T15 - 15/16" Tee Grid SG - Slot Grid/Interlude F - Flange NT - No Trim/Spackle Flange	SD - Standard Diffuser BW - Batwing Optic ASYM - Asymmetric Optic	EIS - Integral Sensor by Enlighted WIS - Integral Sensor by Wattstopper	WW - Wall Wash Reflector EM 120V - Emergency Pack EM 277V - Emergency Pack	10° STD - 10° Standard 25° CRC - 25° Circular 36° CRC - 36° Circular 60° CRC - 60° Circular 60° LNR - 10° x 60° Linear HEX - Hexcell Louver (can add to any)

www.speckaylighting.com | 646.837.9000 | quotes@kaylighting.com

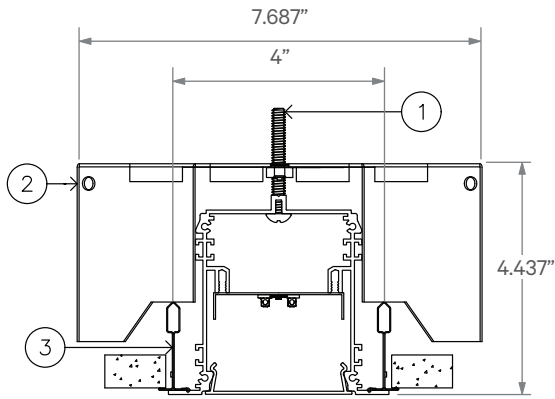
December 2018

DISCLAIMER: KAY LIGHTING RESERVES THE RIGHT TO MAKE ANY DESIGN CHANGES FOR CONTINUOUS IMPROVEMENT WHICH WILL NOT AFFECT THE OVERALL APPEARANCE OR PERFORMANCE. ALL CEILINGS ARE TO BE ADEQUATELY REINFORCED BY OTHERS BEFORE INSTALLATION. ALL FIXTURES ARE TO BE WIRED BY A CERTIFIED ELECTRICIAN ONLY. THIS INFORMATION IS PROPERTY OF KAY LIGHTING, AND THE INFORMATION IT CONTAINS MAY NOT BE USED WITHOUT ANY WRITTEN CONSENT OF KAY LIGHTING.

DATE	PROJECT	FIRM	TYPE
------	---------	------	------

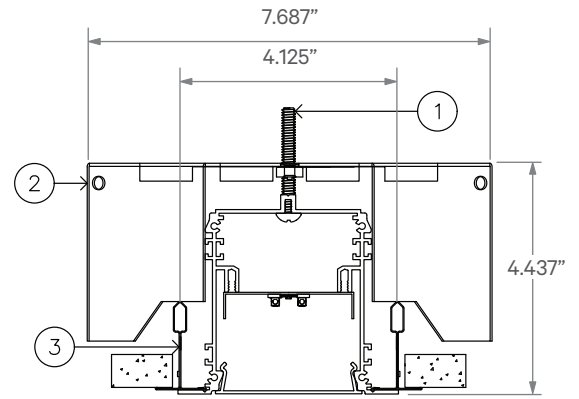
MOUNTING OPTIONS

T - 9/16" Tee Grid



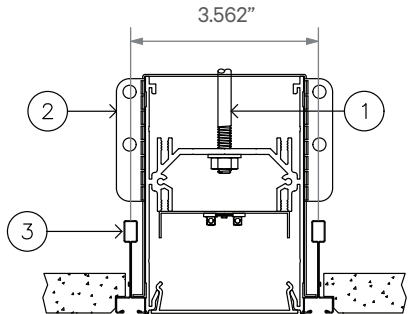
- 1 - Threaded Rod (not supplied)
- 2 - Tee Grid Bracket
- 3 - Tee Grid

T15 - 15/16" Tee Grid



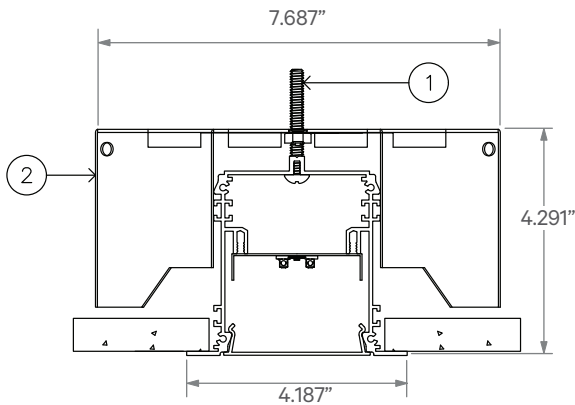
- 1 - Threaded Rod (not supplied)
- 2 - Tee Grid Bracket
- 3 - Tee Grid

SG - Slot Grid/Interlude



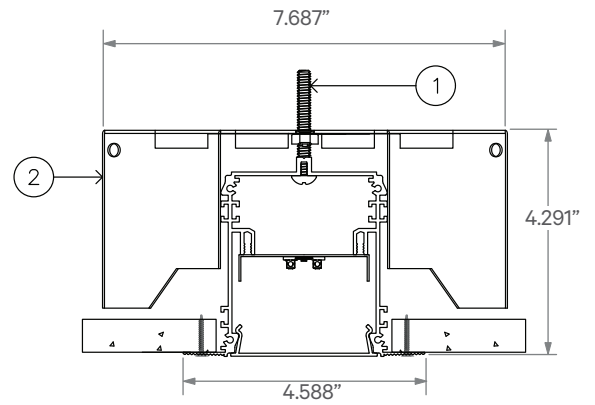
- 1 - Threaded Rod (not supplied)
- 2 - Slot Grid Bracket
- 3 - Slot Grid

F - Flange



- 1 - Threaded Rod (not supplied)
- 2 - Bracket

NT - No Trim/Spackle Flange

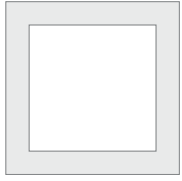


- 1 - Threaded Rod (not supplied)
- 2 - Bracket

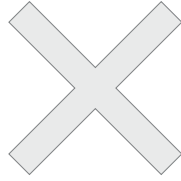
DATE	PROJECT	FIRM	TYPE
------	---------	------	------

CORNERS & PATTERNS

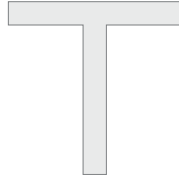
Available with illuminated corners, angles, and custom patterns. **Must consult factory for custom corners and patterns.**



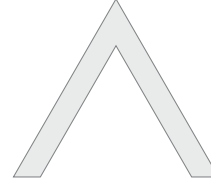
Square Patterns



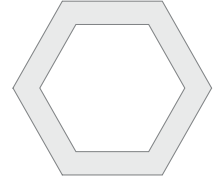
X Patterns



T Patterns

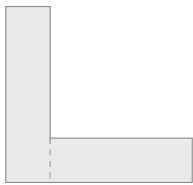


Custom Angles

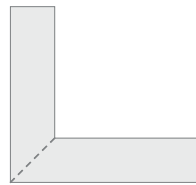


Custom Patterns

LENS CUT OPTIONS



Straight-cut
*Not Available with POL



Mitered Angle

NOTE: Straight-Cut is standard configuration, Mitered Angle is optional and must be specified.

DATE	PROJECT	FIRM	TYPE
------	---------	------	------

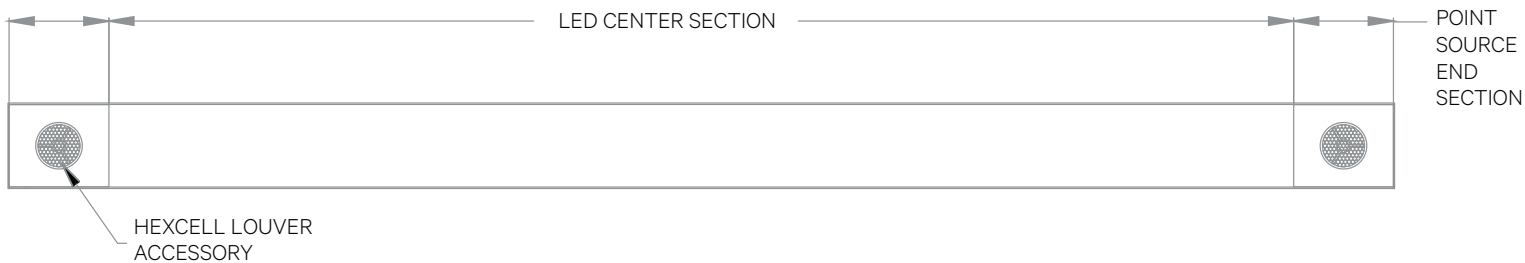
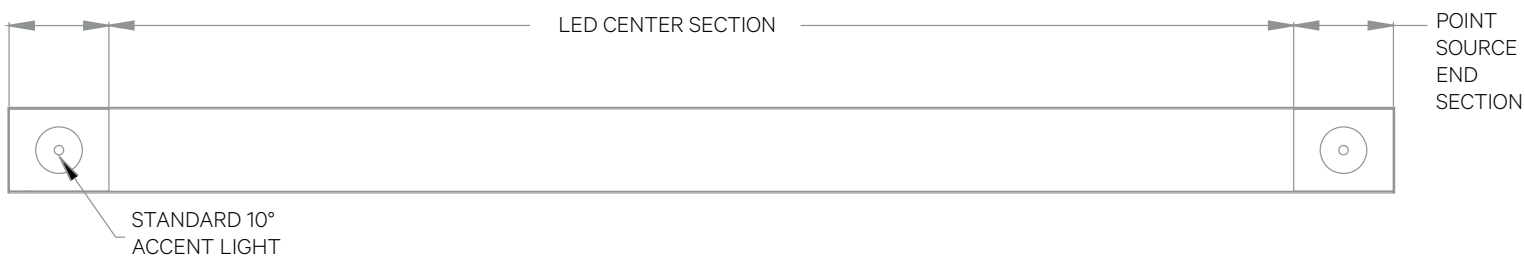
ACCENT DOWNLIGHT INFORMATION

SORAA MR16, 95CRI lamps provided with optional filters for flexible beam spread. Please note that when choosing 3500k color temperature a 4000k lamp with color correcting filter will be supplied.

OPTIONAL BEAM SPREADS AND FILTERS

- 10° Standard Lens
- 25° Circular Beam Spread*
- 36° Circular Beam Spread*
- 60° Circular Beam Spread*
- 10° x 60° Linear Beam Spread*
- Hexcell Louver for Reduced Glare (can be added to any beam spread)*

*Standard 10° SORAA lamp supplied with specially designed snap-in filter to create requested beam spread.



Please Note: On an individual fixture accent lights are placed on either end of the unit. For continuous runs, accent lights are placed every 8 feet. Consult Factory for alternative placement. Fixture must be a minimum of 4 feet.