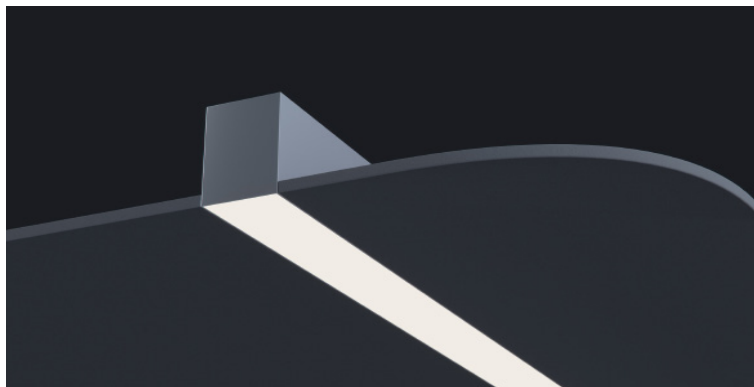


DATE	PROJECT	FIRM	TYPE
------	---------	------	------



Recessed, linear luminaire with low profile providing continuous light. For use in indoor applications where an LED luminaire with small profile providing continuous light is required. Suitable for grid systems and drywall installation as well as custom mounting requests.

FEATURES

- Available In Custom Lengths & Long Runs To 1/16" Accuracy
- Corners & Patterns Available (See Page 3)
- Damp Location Rated
- CRI 90+ Standard
- 5 Year, 50,000 Hour Fixture Warranty
- 2700K, 3000K, 3500K, 4000K & 5000K Color Temperatures Available
- Enlighted/Wattstopper Sensors Available

APPLICATIONS Offices, Lobbies, Retail Stores, Classrooms, Reception Areas & Corridors

CONSTRUCTION Extruded Aluminum Housing and Steel End Caps. Formed Aluminum Gear Tray

OPTICS Extruded High Transmission Satin Acrylic Lens With No LED Imaging

WARRANTY 5 Year Limited Warranty (Covers Standard Components)

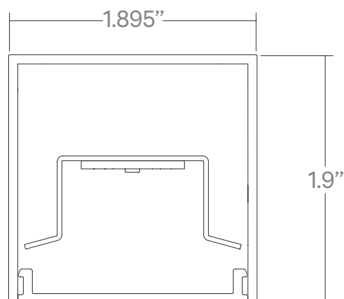
FINISH Standard Powder-Coated White

FIXTURE RATINGS & CERTIFICATIONS Union Made ETL Listed Made In The USA Damp Location Rated



ELECTRICAL Remote Driver With 0-10V 10% Dimming Standard. Several Driver Options Available. See Below For Lutron Dimming Information

EXTRUSION DIMENSIONS



LED SYSTEM INFORMATION

	Nominal System Watts	Nominal Delivered Lumens	Nominal Efficacy
Standard (LTG1)	7.25 W/ft	683 Lm/ft	94 Lm/W
Low (LTG2)	5 W/ft	470 Lm/ft	94 Lm/W
High (LTG3)	8.75 W/ft	783 Lm/ft	90 Lm/W

Based on a 3500K luminaire using one driver. Please consult factory for custom lumen outputs & wattage.

ORDERING

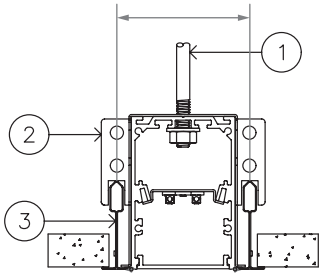
<p>1 - FIXTURE ID LRK1 LED UP</p>	<p>2 - LENGTH 2 - 2 ft 4 - 4 ft 8 - 8 ft x'-x" - Custom (specify length) **Patterns available, consult factory</p>	<p>3 - COLOR TEMP 27 - 2700K/90 CRI 30 - 3000K/90 CRI 35 - 3500K/90 CRI 40 - 4000K/90 CRI 50 - 5000K/90 CRI TW* - Tunable White RGBW* - RGB + 3000K *Must use DMX Driver (Remote)</p>	<p>4 - LED SYSTEM LTG1 - Standard LTG2 - Low LTG3 - High C - Custom Output (ie-C550Lm/ft)</p>	<p>5 - VOLTAGE UNV - Universal (120/277V)</p>	<p>6 - DRIVER (Remote) DB - Standard 10% Dimming (0-10V) DB1% - 1% Dimming (0-10V) DB.01% - .01% Dimming (0-10V) LTEA - Lutron 2-wire 1% Dimming L3DA - Lutron 3-wire 1% Dimming LDE1 - Lutron Digital EcoSystem LDE5 - 5 Series EcoSystem; 5% Dimming DMX - For Color Tuning and RGBW</p>
<p>7 - FINISH W - White (Standard)</p>	<p>8 - MOUNTING T - 9/16" Tee Grid T15 - 15/16" Tee Grid SG - Slot Grid/Interlude F - Flange NT - No Trim/Spackle Flange</p>	<p>9 - CONTROL EIS - Integral Sensor by Enlighted WIS - Integral Sensor by Wattstopper</p>	<p>10 - OPTICS SD - Standard Diffuser ASYM - Asymmetric Optic BW - Batwing</p>	<p>11 - OPTIONS WH - Whips CP - Chicago Plenum EM 120V - Emergency Pack EM 277V - Emergency Pack</p>	

December 2018

DATE _____ PROJECT _____ FIRM _____ TYPE _____

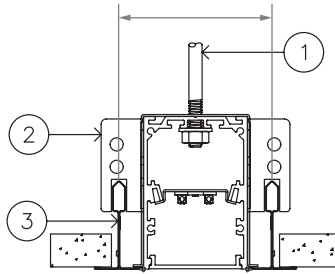
MOUNTING OPTIONS

T - 9/16" Tee Grid



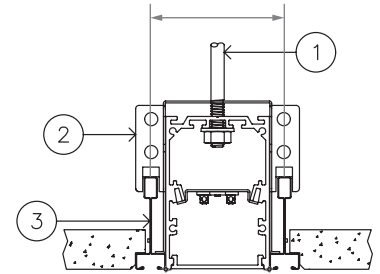
- 1 - Threaded Rod (not supplied)
- 2 - Tee Grid Bracket
- 3 - Tee Grid

T15 - 15/16" Tee Grid



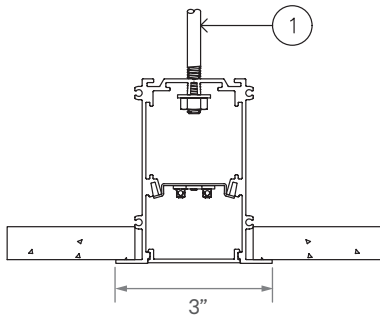
- 1 - Threaded Rod (not supplied)
- 2 - Tee Grid Bracket
- 3 - Tee Grid

SG - Slot Grid/Interlude



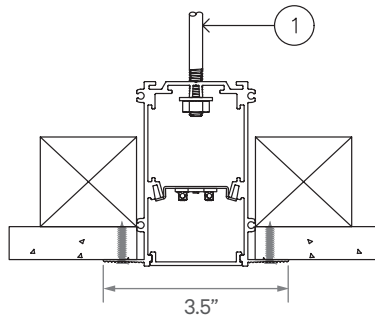
- 1 - Threaded Rod (not supplied)
- 2 - Slot Grid Bracket
- 3 - Slot Grid

F - Flange



- 1 - 1/4-20 Threaded Rod Optional

NT - No Trim/Spackle Flange

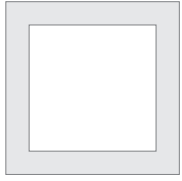


- 1 - 1/4-20 Threaded Rod Optional

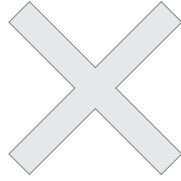
DATE	PROJECT	FIRM	TYPE
------	---------	------	------

CORNERS & PATTERNS

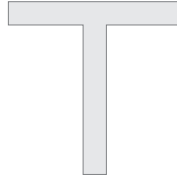
Available with illuminated corners, angles, and custom patterns. **Must consult factory for custom corners and patterns.**



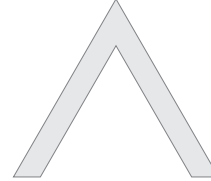
Square Patterns



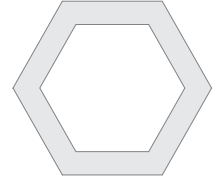
X Patterns



T Patterns



Custom Angles

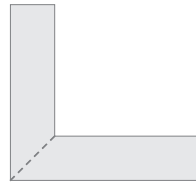


Custom Patterns

LENS CUT OPTIONS



Straight-cut



Mitered Angle

NOTE: Straight-Cut is standard configuration, Mitered Angle is optional and must be specified.