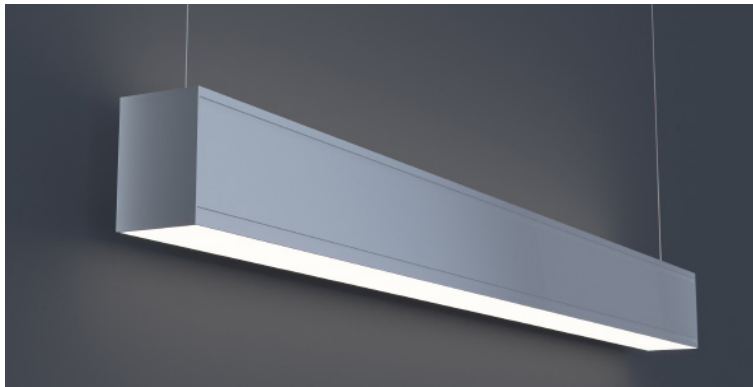


| | | | |
|------|---------|------|------|
| DATE | PROJECT | FIRM | TYPE |
|------|---------|------|------|



Direct and indirect, architectural luminaire. For use in indoor applications where an LED luminaire providing continuous light is required. Suitable for suspended and wall mount installation.

FEATURES

- Available In Custom Lengths & Long Runs To 1/16" Accuracy
- Corners & Patterns Available (See Page 2)
- Damp Location Rated
- CRI 90+ Standard
- 5 Year, 50,000 Hour Fixture Warranty
- 2700K, 3000K, 3500K, 4000K & 5000K Color Temperatures Available
- Enlighted/Wattstopper Sensors Available

APPLICATIONS Offices, Lobbies, Retail Stores, Classrooms, Reception Areas & Corridors

CONSTRUCTION Extruded Aluminum Housing And Cast End Caps. Formed Steel Gear Tray | **OPTICS** Extruded High Transmission Satin Acrylic Lens With No LED Imaging. Additional Optics Available

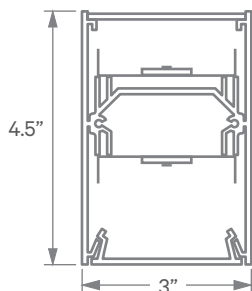
WARRANTY 5 Year Limited Warranty (Covers Standard Components) | **FINISH** Standard Powder-Coated White. Custom RAL Colors Available

FIXTURE RATINGS & CERTIFICATIONS Union Made ETL Listed | Made In The USA Damp Location Rated



ELECTRICAL Integral Driver With 0-10V 10% Dimming Standard. Several Driver Options Available. See Below For Lutron Dimming Information

EXTRUSION DIMENSIONS



LED SYSTEM INFORMATION

| | Nominal System Watts | | Nominal Delivered Lumens | | Nominal Efficacy |
|-----------------|----------------------|----------|--------------------------|-----------|------------------|
| | DIRECT | INDIRECT | DIRECT | INDIRECT | |
| Standard (LTG1) | 7 W/ft | 7 W/ft | 590 Lm/ft | 710 Lm/ft | 92 Lm/W |
| Low (LTG2) | 5 W/ft | 5 W/ft | 425 Lm/ft | 520 Lm/ft | 94 Lm/W |
| High (LTG3) | 9.5 W/ft | 9.5 W/ft | 750 Lm/ft | 920 Lm/ft | 88 Lm/W |

Based on a 3500K luminaire using one driver. Please consult factory for custom lumen outputs & wattage.

ORDERING

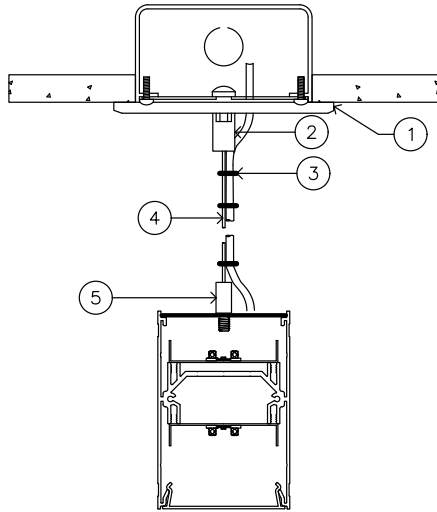
| | | | | | |
|--|--|---|--|--|---|
| 1 - FIXTURE ID KLS3 LED UPDN | 2 - LENGTH 2 - 2 ft 4 - 4 ft 8 - 8 ft x'-x" - Custom (specify length) **Patterns available consult factory | 3 - COLOR TEMP 27 - 2700K/90 CRI 30 - 3000K/90 CRI 35 - 3500K/90 CRI 40 - 4000K/90 CRI 50 - 5000K/90 CRI TW* - Tunable White RGBW* - RGB + 3000K *Must use DMX Driver (Remote) | 4 - LED SYSTEM IN - INDIRECT LTG1 - Standard LTG2 - Low LTG3 - High C - Custom Output (ie-C550Lm/ft) | 5 - VOLTAGE D - DIRECT LTG1 - Standard LTG2 - Low LTG3 - High C - Custom Output (ie-C550Lm/ft) | 6 - DRIVER UNV - Universal (120/277V) DB - Standard 10% Dimming (0-10V) DB1% - 1% Dimming (0-10V) DB.01% - .01% Dimming (0-10V) LTEA - Lutron 2-wire 1% Dimming L3DA - Lutron 3-wire 1% Dimming LDE1 - Lutron Digital EcoSystem LDE5 - 5 Series EcoSystem; 5% Dimming DMX - For Color Tuning and RGBW |
|--|--|---|--|--|---|

| | | | | | |
|--|---|---|---|---|--|
| 7 - FINISH W - White (Standard) BLK - Black CC - Custom Color (provide RAL#) | 8 - MOUNTING AC - Aircraft Cable (50") WM - Wall Mount | 9 - OPTICS IN - INDIRECT SD - Standard Diffuser BW - Batwing Optic ASYM - Asymmetric Optic | 10 - CONTROL (Optional) D - DIRECT SD - Standard Diffuser BW - Batwing Optic WW - Wall Wash Reflector ASYM - Asymmetric Optic | 11 - CIRCUIT NC - No Control (Standard) EIS - Integral Sensor by Enlighted WIS - Integral Sensor by Wattstopper | 11 - CIRCUIT DC - Dual Circuit EM 120V - Emergency Pack EM 277V - Emergency Pack |
|--|---|---|---|---|--|

| | | | |
|------|---------|------|------|
| DATE | PROJECT | FIRM | TYPE |
|------|---------|------|------|

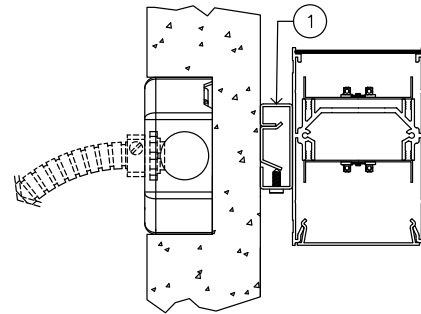
MOUNTING OPTIONS

AC - Aircraft Cable (50")



- 1 - 5" Round Canopy (Standard White Finish)
- 2 - Canopy Retainer
- 3 - S-JT Cord (Standard White)
- 4 - Air Craft Cable
- 5 - Gripper
- 6 - Hanging Bracket

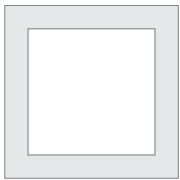
WM - Wall Mount



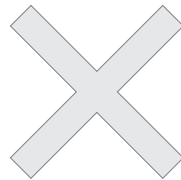
- 1 - 0.75" Wall Mount Bracket

CORNERS & PATTERNS

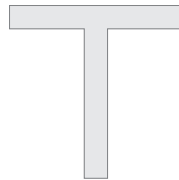
Available with illuminated corners, angles, and custom patterns. **Must consult factory for custom corners, patterns and elevations.**



Square Patterns



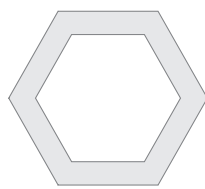
X Patterns



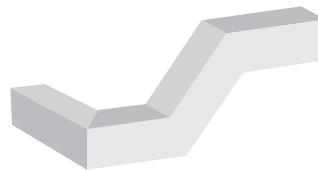
T Patterns



Custom Angles



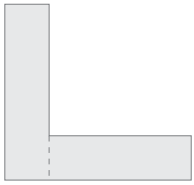
Custom Patterns



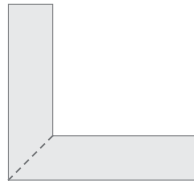
Custom Elevations

| DATE | PROJECT | FIRM | TYPE |
|------|---------|------|------|
|------|---------|------|------|

LENS CUT OPTIONS



Straight-cut



Mitered Angle

NOTE: Straight-Cut is standard configuration, Mitered Angle is optional and must be specified.