

**BOXY KL + LED 93033 DIM1**  
6 251 67 811 932 ED1

[Weblink](#)

Date

Name

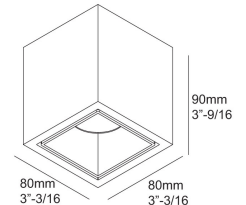
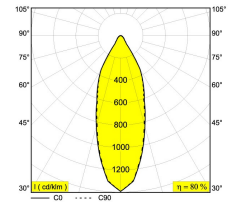
Client

Project name

Quote#

Type/Quantity

**Listings**



Available colors:

- ALU GREY-ALU GREY (6 251 67 811 932 ED1 A-A)
- BLACK-BLACK (6 251 67 811 932 ED1 B-B)
- BLACK-GOLD MAT (6 251 67 811 932 ED1 B-MMAT)
- WHITE-WHITE (6 251 67 811 932 ED1 W-W)
- GREY BROWN-GREY BROWN (6 251 67 811 932 ED1 G-G)
- BLACK-FLEMISH GOLD (6 251 67 811 932 ED1 B-FG)
- BLACK-FLEMISH BRONZE (6 251 67 811 932 ED1 B-FBR)

INCL. 1 x LED WHITE 7,1W / CRI>90 / 3000K / 774lm

INCL. 1 x REFLECTOR FL-33°

INCL. DIMMABLE LED POWER SUPPLY 350mA-DC

DIMMING BY 1-10V CONTROL

For other CRI or KELVIN, contact factory

LED Technics:

Light source: 774 lm // 7 W // 116 lm/W

Luminaire: 617 lm // 8 W // 76 lm/W

120-277V / 60Hz

Class 2

N.a.

Ada

N.a.

BACKPLATE

MUD KIT INSTALLATION

Weight:

1.3 LBS

Protection level:

IP20 - suitable for damp locations

Minimum distance:

n.a.

Remarks:

For other voltages or dimming options, contact factory.

Accessories:

- BOXY HONEYCOMB
- BOXY SOFTENING LENS
- BOXY GLASS SBL

**Requirements STANDARD:**

MUD KIT 2

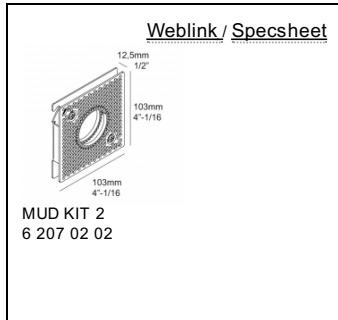
COVERPLATE S 114

For detailed installation instructions, please consult the manual. [6\\_251\\_67\\_811\\_XXX\\_ED1\\_HAND.pdf](#)

**BOXY KL + LED 93033 DIM1**

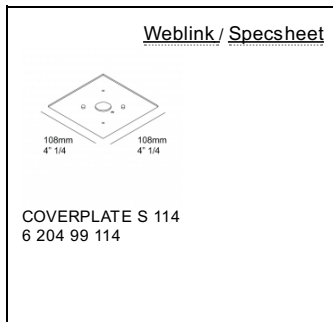
**Related references**

**MUD KITS**



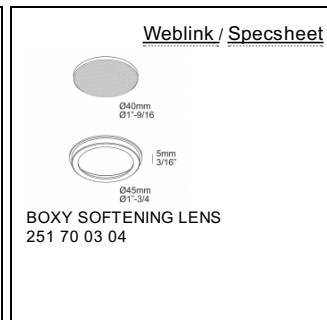
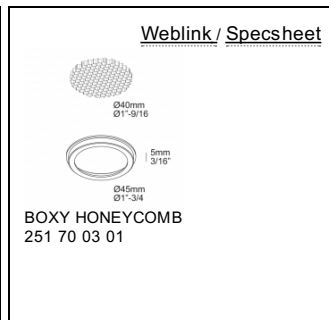
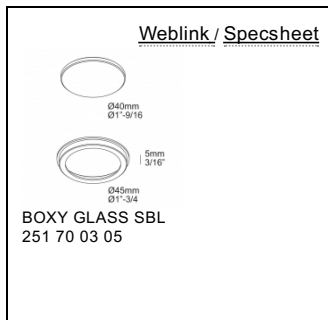
**Related references**

**COVER PLATES**



**Related references**

**LIGHT ALTERING DEVICES**



**BOXY KL + LED 93033 DIM1**

Related project picture of product family:

